

X-PRESS

For a 40 to 75-inch screen



VIDEOCONFERENCING

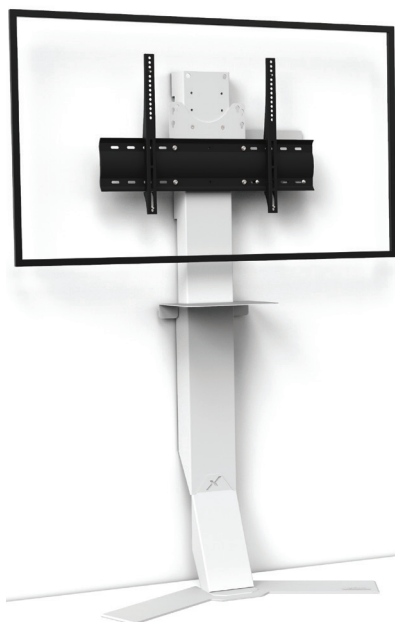
Number of screen : 1 screen

Screen size : 40 to 75"

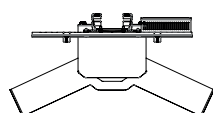
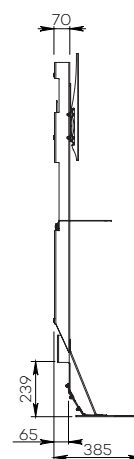
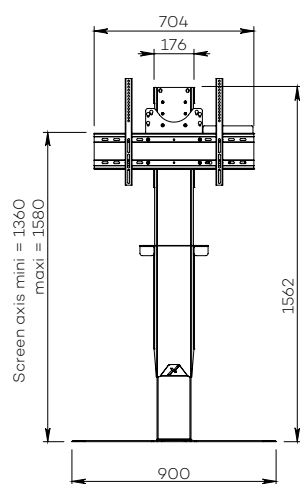
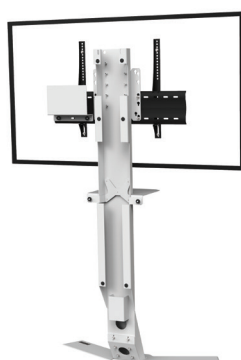
Installation : leaning on the wall

Finish : white

Part number :
X-PRESS-VC



55" screen simulation



● SPECIFICATIONS

Screen size	For a 40 to 75" screen
Part number	X-PRESS-VC
Structure	White painted steel
Noth for plinth	239 mm (h) x 65 mm (d)
Base thickness	5 mm
Base dimensions (w x d x h)	900 x 325 x 5 mm
Column dimensions (w x d x h)	176 x 70 x 1557 mm
Screen fixing	Black painted steel with fixing kit
Screen fixing size (VESA)	200 x 200 mm to 600 x 400 mm VESA
Screen axis height	1360 mm to 1580 mm
Max. screen weight	45 kg < 35 kg : leaning on the wall > 35 kg : with 2 wall attachment points
Max. screen depth	60 mm
Camera shelf with adjustable height	865 mm to 1132 mm
Stand weight	23 kg
Accessories included (VC PACK)	<ul style="list-style-type: none"> • Camera shelf (AX055-05) Dimensions (w x d) : 300 mm x 180 mm • Codec or player holder (SCUV12_XPRESS) Depth : 60 mm

● OPTIONS

Black finish Structure, camera shelf and codec holder in black painted steel	P/N: X-PRESS/FULLBLACK
Universal camera holder Above the screen (attached to the VESA screen with 340 mm strips)	P/N: SCUV3
Magnetic removable rear cover On the back of the column if leaned against a glass wall	P/N: CARTER_XPRESS
Other finish	P/N: on request