

OSYX DUAL SCREEN

For two 40 to 55-inch screens



VIDEOCONFERENCING

Number of screen : 2 screens

Screen size : 40 to 55"

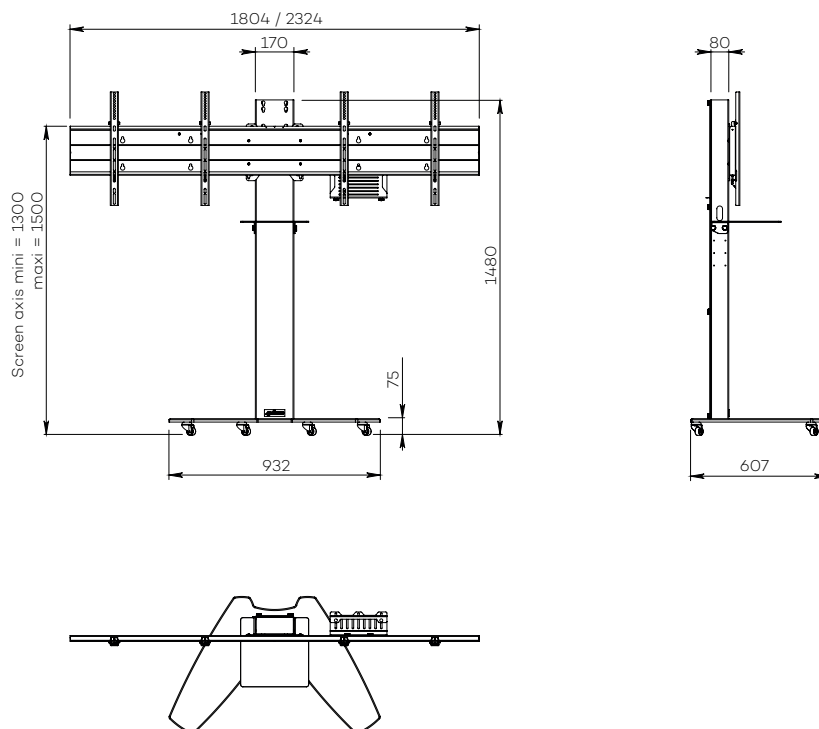
Installation : on casters

Finish : white and brushed stainless steel

Part numbers :
OSYXD4050VCPACK
OSYXD5255VCPACK



Screens simulation 46"



OSYX DUAL SCREEN

• SPECIFICATIONS

Screen size	For two 40 to 50" screens	For two 52 to 55" screens
Part numbers	OSYXD4050VCPACK	OSYXD5255VCPACK
Base	White painted steel	
Base thickness	15 mm	
Casters / Teflon pads	On casters (ø 35 mm pre-assembled)	
Base dimensions (w x d x h)	932 x 607 x 75 mm	
Column	Brushed stainless steel	
Column back cover	Back in white ecofriendly acrylic glass	
Column dimensions (w x d x h)	170 x 80 x 1405 mm	
Screen fixing	Black painted steel with fixing kit	
Screen fixing size (VESA)	200 x 200 mm to 800 x 400 mm VESA	
Screen axis with adjustable height	1300 mm to 1500 mm	
Maximum screen weight	30 kg/screen	
Camera shelf with adjustable height	775 mm to 940 mm 4 positions with 55 mm increments	
Stand weight	78 kg	
Accessories included (VC PACK)	<ul style="list-style-type: none"> • Camera shelf (AX0011) Dimensions (w x d) : 300 mm x 230 mm • Universal codec holder (SCUV12) Depth from 10 mm to 95 mm 	

• OPTIONS

Large shelf Dimensions (w x d) : 450 mm x 300 mm	P/N: AX0012
Brushed stainless steel & black finish Column in brushed stainless steel Base, back and camera shelf in black	P/N: /BLACK
Base on Teflon pads	P/N: Teflon pads
Universal camera holder Above the screen	P/N: SCUV3
SCUV3 option Adaptor to fix the SCUV3 between two screens	P/N: SCUV3_2
Assembly before shipment	P/N: SERV_STD_1