

Notice de montage / Assembly instructions

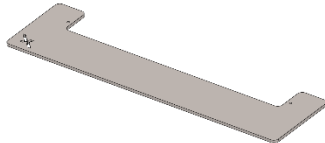





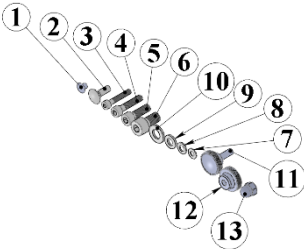
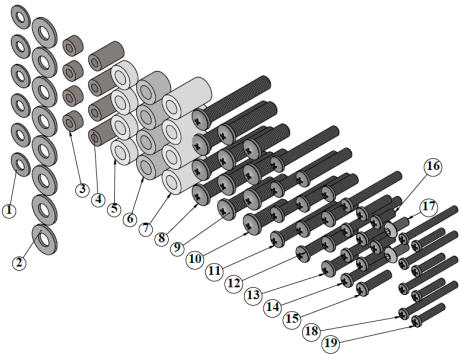
STILIX simple écran / STILIX single screen



Composition / Packing list :


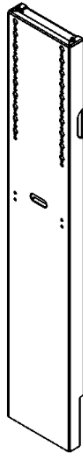
- Colis N°1 : socle + accessoires

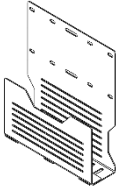

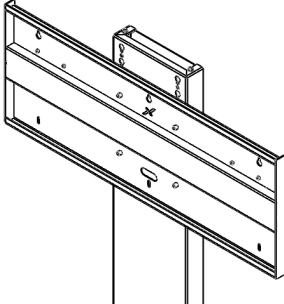
Package N°1 : base + accessories

<p>Socle Base</p>																																																																																	
<p>1 barre VESA 1 VESA bar</p>																																																																																	
<p>Paire de fixations fixes Mounting brackets</p>																																																																																	
<p>Une multiprise (unavailable for UK/DE)</p>																																																																																	
<p>8 Colliers de serrage 8 plastic clamps</p>																																																																																	
<p>Un jeu de clés Allen key set</p>																																																																																	
<p>Un kit visserie meuble Bolting kit (furniture)</p>	 <table border="1" data-bbox="1110 1081 1278 1361"> <thead> <tr> <th>Rep</th> <th>Qté</th> <th>Désignation</th> </tr> </thead> <tbody> <tr><td>1</td><td>16</td><td>Bouchon M5</td></tr> <tr><td>2</td><td>4</td><td>Vis japy M5x15</td></tr> <tr><td>3</td><td>2</td><td>Vis CHC M4x25</td></tr> <tr><td>4</td><td>2</td><td>Vis CHC M5x25</td></tr> <tr><td>5</td><td>12</td><td>Vis CHC M6x20</td></tr> <tr><td>6</td><td>6</td><td>Vis CHC M8x16</td></tr> <tr><td>7</td><td>2</td><td>Rondelle plate M4</td></tr> <tr><td>8</td><td>2</td><td>Rondelle plate M5</td></tr> <tr><td>9</td><td>12</td><td>Rondelle plate M6</td></tr> <tr><td>10</td><td>6</td><td>Rondelle plate M8</td></tr> <tr><td>11</td><td>8</td><td>Vis molette M5</td></tr> <tr><td>12</td><td>4</td><td>Ecrou molette M5</td></tr> <tr><td>13</td><td>4</td><td>Ecrou borgne M6</td></tr> </tbody> </table>	Rep	Qté	Désignation	1	16	Bouchon M5	2	4	Vis japy M5x15	3	2	Vis CHC M4x25	4	2	Vis CHC M5x25	5	12	Vis CHC M6x20	6	6	Vis CHC M8x16	7	2	Rondelle plate M4	8	2	Rondelle plate M5	9	12	Rondelle plate M6	10	6	Rondelle plate M8	11	8	Vis molette M5	12	4	Ecrou molette M5	13	4	Ecrou borgne M6																																						
Rep	Qté	Désignation																																																																															
1	16	Bouchon M5																																																																															
2	4	Vis japy M5x15																																																																															
3	2	Vis CHC M4x25																																																																															
4	2	Vis CHC M5x25																																																																															
5	12	Vis CHC M6x20																																																																															
6	6	Vis CHC M8x16																																																																															
7	2	Rondelle plate M4																																																																															
8	2	Rondelle plate M5																																																																															
9	12	Rondelle plate M6																																																																															
10	6	Rondelle plate M8																																																																															
11	8	Vis molette M5																																																																															
12	4	Ecrou molette M5																																																																															
13	4	Ecrou borgne M6																																																																															
<p>Kit visserie écran Bolting kit (screens)</p>	 <table border="1" data-bbox="1155 1375 1382 1599"> <thead> <tr> <th>Rep</th> <th>Qté</th> <th>Désignation</th> <th>Désignation</th> </tr> </thead> <tbody> <tr><td>1</td><td>6</td><td>Rondelle M6</td><td>Washer M6</td></tr> <tr><td>2</td><td>8</td><td>Rondelle plate M6</td><td>Washer M6</td></tr> <tr><td>3</td><td>4</td><td>Entretoise Ø10xØ5 lg 6</td><td>Spacer Ø10xØ5 lg 6</td></tr> <tr><td>4</td><td>4</td><td>Entretoise Ø10xØ5 lg 18</td><td>Spacer Ø10xØ5 lg 18</td></tr> <tr><td>5</td><td>4</td><td>Entretoise Ø15xØ8,4 lg 6,5</td><td>Spacer Ø15xØ8,4 lg 6,5</td></tr> <tr><td>6</td><td>4</td><td>Entretoise Ø15xØ8,4 lg 12</td><td>Spacer Ø15xØ8,4 lg 12</td></tr> <tr><td>7</td><td>4</td><td>Entretoise Ø15xØ8,4 lg 24</td><td>Spacer Ø15xØ8,4 lg 24</td></tr> <tr><td>8</td><td>4</td><td>Vis cricofonne M8x20</td><td>Cross-headed screw M8x20</td></tr> <tr><td>9</td><td>4</td><td>Vis cricofonne M8x25</td><td>Cross-headed screw M8x25</td></tr> <tr><td>10</td><td>4</td><td>Vis cricofonne M8x25</td><td>Cross-headed screw M8x25</td></tr> <tr><td>11</td><td>4</td><td>Vis cricofonne M8x45</td><td>Cross-headed screw M8x45</td></tr> <tr><td>12</td><td>4</td><td>Vis cricofonne M6x25</td><td>Cross-headed screw M6x25</td></tr> <tr><td>13</td><td>4</td><td>Vis cricofonne M6x20</td><td>Cross-headed screw M6x20</td></tr> <tr><td>14</td><td>4</td><td>Vis cricofonne M5x40</td><td>Cross-headed screw M5x40</td></tr> <tr><td>15</td><td>4</td><td>Vis cricofonne M5x20</td><td>Cross-headed screw M5x20</td></tr> <tr><td>16</td><td>2</td><td>Vis cricofonne M5x12</td><td>Cross-headed screw M5x12</td></tr> <tr><td>17</td><td>2</td><td>Vis CHC M5x12</td><td>Screw CHC M5x12</td></tr> <tr><td>18</td><td>4</td><td>Vis cricofonne M4x40</td><td>Cross-headed screw M4x40</td></tr> <tr><td>19</td><td>4</td><td>Vis cricofonne M4x20</td><td>Cross-headed screw M4x20</td></tr> </tbody> </table>	Rep	Qté	Désignation	Désignation	1	6	Rondelle M6	Washer M6	2	8	Rondelle plate M6	Washer M6	3	4	Entretoise Ø10xØ5 lg 6	Spacer Ø10xØ5 lg 6	4	4	Entretoise Ø10xØ5 lg 18	Spacer Ø10xØ5 lg 18	5	4	Entretoise Ø15xØ8,4 lg 6,5	Spacer Ø15xØ8,4 lg 6,5	6	4	Entretoise Ø15xØ8,4 lg 12	Spacer Ø15xØ8,4 lg 12	7	4	Entretoise Ø15xØ8,4 lg 24	Spacer Ø15xØ8,4 lg 24	8	4	Vis cricofonne M8x20	Cross-headed screw M8x20	9	4	Vis cricofonne M8x25	Cross-headed screw M8x25	10	4	Vis cricofonne M8x25	Cross-headed screw M8x25	11	4	Vis cricofonne M8x45	Cross-headed screw M8x45	12	4	Vis cricofonne M6x25	Cross-headed screw M6x25	13	4	Vis cricofonne M6x20	Cross-headed screw M6x20	14	4	Vis cricofonne M5x40	Cross-headed screw M5x40	15	4	Vis cricofonne M5x20	Cross-headed screw M5x20	16	2	Vis cricofonne M5x12	Cross-headed screw M5x12	17	2	Vis CHC M5x12	Screw CHC M5x12	18	4	Vis cricofonne M4x40	Cross-headed screw M4x40	19	4	Vis cricofonne M4x20	Cross-headed screw M4x20
Rep	Qté	Désignation	Désignation																																																																														
1	6	Rondelle M6	Washer M6																																																																														
2	8	Rondelle plate M6	Washer M6																																																																														
3	4	Entretoise Ø10xØ5 lg 6	Spacer Ø10xØ5 lg 6																																																																														
4	4	Entretoise Ø10xØ5 lg 18	Spacer Ø10xØ5 lg 18																																																																														
5	4	Entretoise Ø15xØ8,4 lg 6,5	Spacer Ø15xØ8,4 lg 6,5																																																																														
6	4	Entretoise Ø15xØ8,4 lg 12	Spacer Ø15xØ8,4 lg 12																																																																														
7	4	Entretoise Ø15xØ8,4 lg 24	Spacer Ø15xØ8,4 lg 24																																																																														
8	4	Vis cricofonne M8x20	Cross-headed screw M8x20																																																																														
9	4	Vis cricofonne M8x25	Cross-headed screw M8x25																																																																														
10	4	Vis cricofonne M8x25	Cross-headed screw M8x25																																																																														
11	4	Vis cricofonne M8x45	Cross-headed screw M8x45																																																																														
12	4	Vis cricofonne M6x25	Cross-headed screw M6x25																																																																														
13	4	Vis cricofonne M6x20	Cross-headed screw M6x20																																																																														
14	4	Vis cricofonne M5x40	Cross-headed screw M5x40																																																																														
15	4	Vis cricofonne M5x20	Cross-headed screw M5x20																																																																														
16	2	Vis cricofonne M5x12	Cross-headed screw M5x12																																																																														
17	2	Vis CHC M5x12	Screw CHC M5x12																																																																														
18	4	Vis cricofonne M4x40	Cross-headed screw M4x40																																																																														
19	4	Vis cricofonne M4x20	Cross-headed screw M4x20																																																																														
<p>Notice de montage Assembly instruction</p>																																																																																	

- Colis N°2 : colonne

Package N°2 : column

Colonne Affichage <i>Display column</i>	ou or	Colonne Visio <i>Videoconferencing column</i>
		

OPTIONS		
<i>Un support codec</i> <i>Codec holder</i>	SCUV12_1U	
<i>Une tablette petit format</i> <i>Small shelf</i>	SMCP_CPS	
<i>Fixation forte charge</i> <i>Heavy load screen fixing</i>	KIT ADT 75 100	

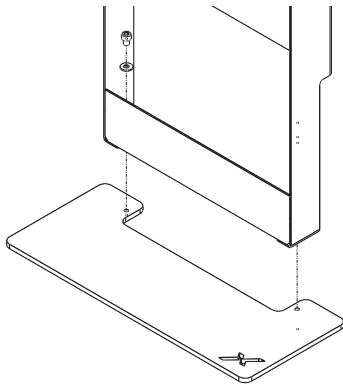
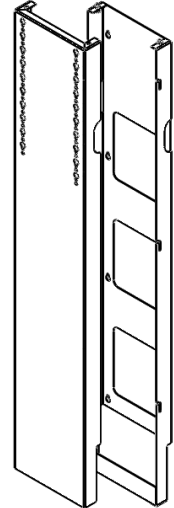
NOTICE DE MONTAGE / ASSEMBLY INSTRUCTIONS

Etape 1 :

- Retirer la face avant en la montant et tirant vers vous

Step 1 :

- Remove the front panel by raising it and pulling towards you



Etape 2 :

- Assembler le socle sur la partie arrière
(2 vis CHC M6 + 2 rondelles)

Step 2 :

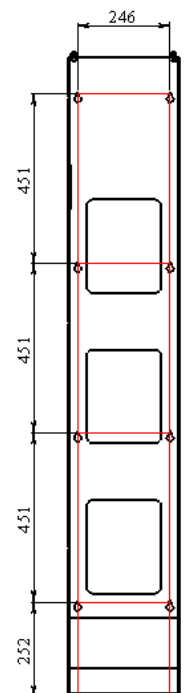
- Assemble the base on the rear part
(2 CHC M6 screws + 2 washers)

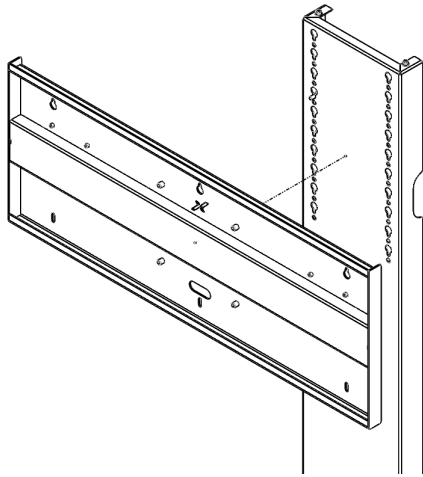
Etape 3 :

- Poser l'ensemble contre le mur puis fixer le

Step 3 :

- Place the stand against the wall and then fix it



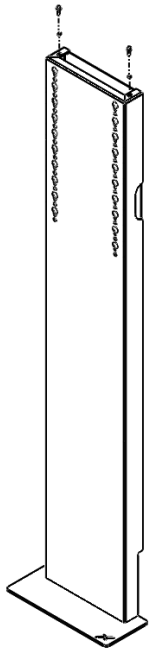


Etape 4 : (option fixation forte charge)

- Fixer le forte charge sur la partie avant et serrer-le par l'intérieur

Step 4 : (heavy load screen fixing option)

- Fix the heavy load mount to the front part and tighten it from the inside



Etape 5 :

- Replacer la partie avant et sécuriser l'ensemble (2 vis CBHC M6x16)

Step 5 :

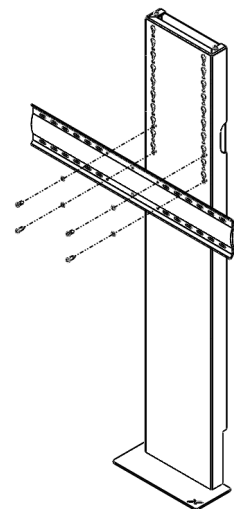
- Fix the front part and secure the stand (2 CBHC M6x16 screws)

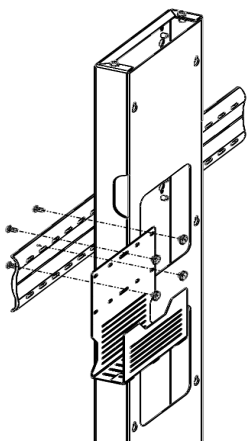
Etape 6 :

- Fixer la barre VESA sur la colonne (4 vis CBHC M6)

Step 6 :

- Fix the VESA bar to the column (4 x CBHC M6x16 screws)





Etape 7 : (option support codec)

- Monter le support codec derrière la barre VESA
(4 vis moletée M5 + 4 écrous moleté M5)

Step 7 : (codec holder option)

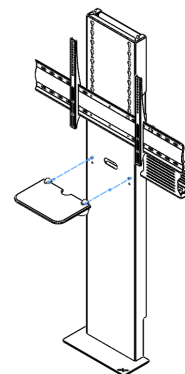
- Fix the codec holder behind the VESA bar
(4 Knurled screws M5+ 4 Knurled washers M5)

Etape 8 : (option tablette petit format)

- Monter la tablette petit format (4 vis M4x10)

Step 8 : (small shelf option)

- Fix the small shelf (4 M4x10 screws)

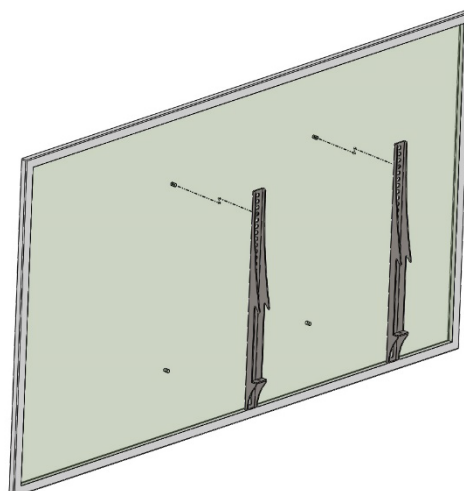


Etape 9 :

- Monter la paire de fixations fixes sur l'écran (vis fournies dans le kit visserie écran)

Step 9 :

- Fit the mounting brackets on the screen (screws provided in the bolting kit)



Etape 10 :

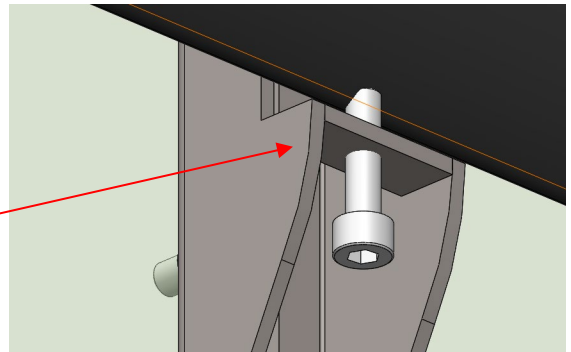
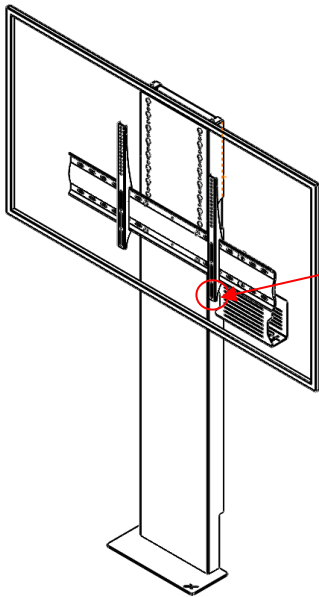
- Monter l'écran sur la barre VESA
- Sécuriser l'écran (vis M5 fournies dans le kit visserie écran)

Step 10 :

- *Fix the screen on the VESA bar*
- *Secure the screen (M5 screws provided in the bolting kit)*

Warning :

Tightening just in contact.
Do not tighten too hard



Attention :

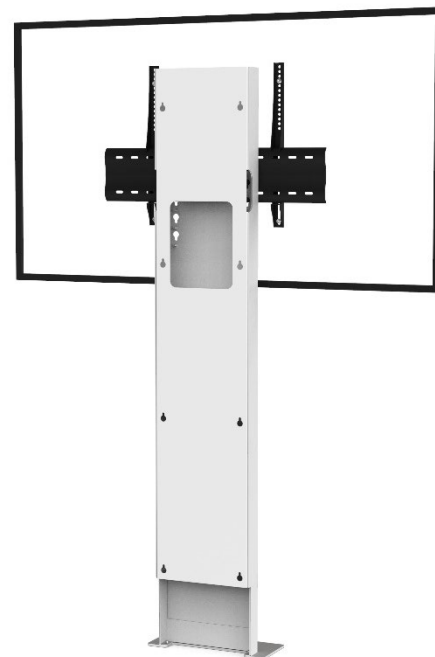
Serrage juste en contact.
Ne pas serrer trop fort

Etape 11 :

- Procéder au câblage

Step 11 :

- *Proceed with cabling*



Le montage de votre STILIX est terminé !

Your STILIX is ready !