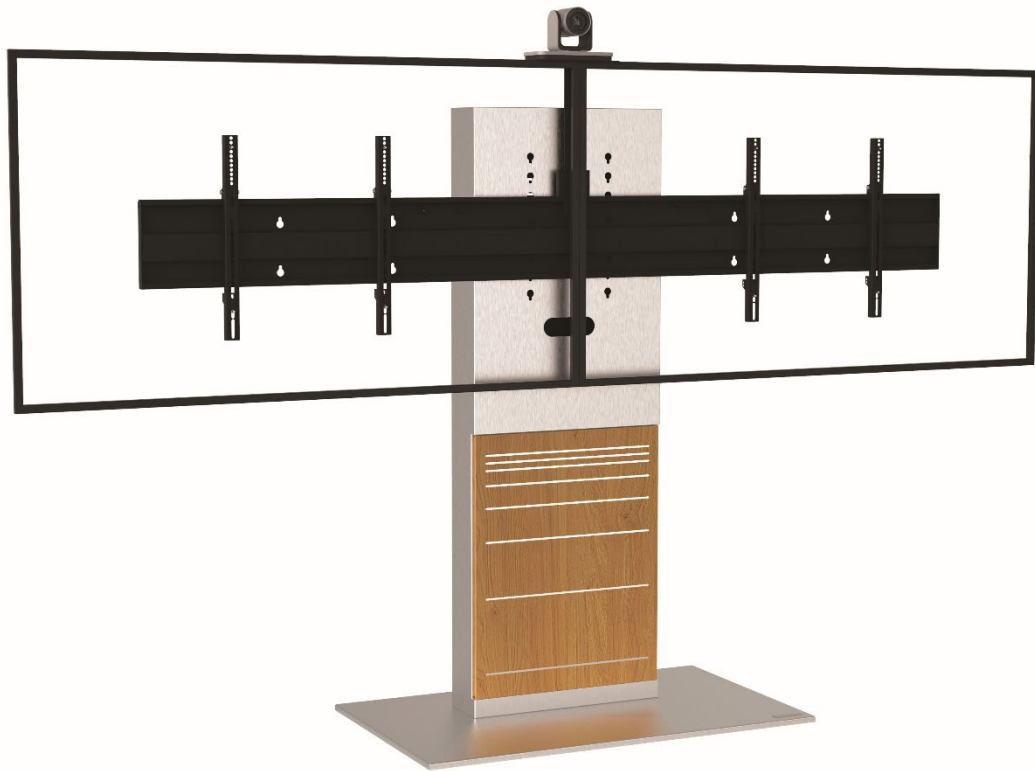


## *Notice de montage / Assembly instructions*


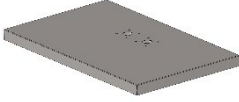
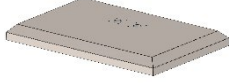







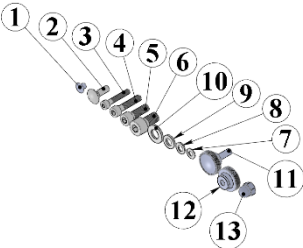
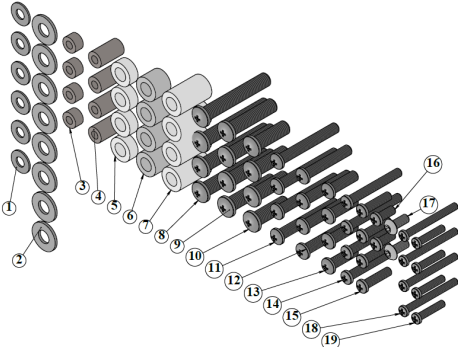
*XENON WIDE double écran / XENON WIDE dual screen*




## Composition / Packing list :

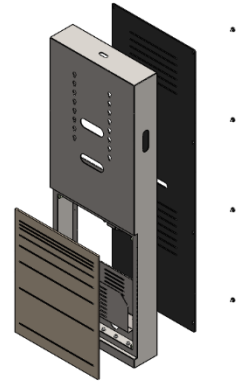
- Colis N°1 : socle + accessoires

Package N°1 : base + accessories

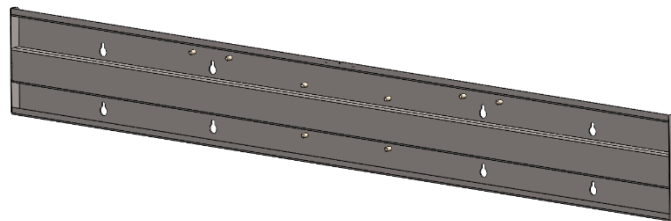
Socle + habillage Base + cover																																																																																			
																																																																																			
4 Patins téflons 4 Teflon pads	4 roulettes Ø35 4 casters Ø35	4 roulettes Ø100 4 casters Ø100																																																																																	
2 paires de fixations réglables 2 mounting brackets																																																																																			
Une multiprise (unavailable for UK/DE)																																																																																			
8 Colliers de serrage 8 plastic clamps																																																																																			
Un jeu de clés Allen key set																																																																																			
Un kit visserie meuble Bolting kit (furniture)	 <table border="1"> <thead> <tr> <th>Rep</th> <th>Qté</th> <th>Désignation</th> </tr> </thead> <tbody> <tr><td>1</td><td>16</td><td>Bouchon M5</td></tr> <tr><td>2</td><td>4</td><td>Vis japy M5x15</td></tr> <tr><td>3</td><td>2</td><td>Vis CHC M4x25</td></tr> <tr><td>4</td><td>2</td><td>Vis CHC M5x25</td></tr> <tr><td>5</td><td>12</td><td>Vis CHC M6x20</td></tr> <tr><td>6</td><td>6</td><td>Vis CHC M8x16</td></tr> <tr><td>7</td><td>2</td><td>Rondelle plate M4</td></tr> <tr><td>8</td><td>2</td><td>Rondelle plate M5</td></tr> <tr><td>9</td><td>12</td><td>Rondelle plate M6</td></tr> <tr><td>10</td><td>6</td><td>Rondelle plate M8</td></tr> <tr><td>11</td><td>8</td><td>Vis molette M5</td></tr> <tr><td>12</td><td>4</td><td>Ecrou molette M5</td></tr> <tr><td>13</td><td>4</td><td>Ecrou borgne M6</td></tr> </tbody> </table>			Rep	Qté	Désignation	1	16	Bouchon M5	2	4	Vis japy M5x15	3	2	Vis CHC M4x25	4	2	Vis CHC M5x25	5	12	Vis CHC M6x20	6	6	Vis CHC M8x16	7	2	Rondelle plate M4	8	2	Rondelle plate M5	9	12	Rondelle plate M6	10	6	Rondelle plate M8	11	8	Vis molette M5	12	4	Ecrou molette M5	13	4	Ecrou borgne M6																																						
Rep	Qté	Désignation																																																																																	
1	16	Bouchon M5																																																																																	
2	4	Vis japy M5x15																																																																																	
3	2	Vis CHC M4x25																																																																																	
4	2	Vis CHC M5x25																																																																																	
5	12	Vis CHC M6x20																																																																																	
6	6	Vis CHC M8x16																																																																																	
7	2	Rondelle plate M4																																																																																	
8	2	Rondelle plate M5																																																																																	
9	12	Rondelle plate M6																																																																																	
10	6	Rondelle plate M8																																																																																	
11	8	Vis molette M5																																																																																	
12	4	Ecrou molette M5																																																																																	
13	4	Ecrou borgne M6																																																																																	
2 kits visserie écran 2 bolting kits (screens)	 <table border="1"> <thead> <tr> <th>Rep</th> <th>Qté</th> <th>Désignation</th> <th>Désignation</th> </tr> </thead> <tbody> <tr><td>1</td><td>6</td><td>Rondelle M6</td><td>Washer M6</td></tr> <tr><td>2</td><td>8</td><td>Rondelle plate M6</td><td>Washer M6</td></tr> <tr><td>3</td><td>4</td><td>Ecartouche Ø12xØ5 lg 6</td><td>Spacer Ø12xØ5 lg 6</td></tr> <tr><td>4</td><td>4</td><td>Ecartouche Ø12xØ5 lg 18</td><td>Spacer Ø12xØ5 lg 18</td></tr> <tr><td>5</td><td>4</td><td>Ecartouche Ø13xØ8,4 lg 6,3</td><td>Spacer Ø13xØ8,4 lg 6,3</td></tr> <tr><td>6</td><td>4</td><td>Ecartouche Ø13xØ8,4 lg 12</td><td>Spacer Ø13xØ8,4 lg 12</td></tr> <tr><td>7</td><td>4</td><td>Ecartouche Ø13xØ8,4 lg 24</td><td>Spacer Ø13xØ8,4 lg 24</td></tr> <tr><td>8</td><td>4</td><td>Vis cricofixation M6x50</td><td>Cross-headed screw M6x50</td></tr> <tr><td>9</td><td>4</td><td>Vis cricofixation M6x35</td><td>Cross-headed screw M6x35</td></tr> <tr><td>10</td><td>4</td><td>Vis cricofixation M6x25</td><td>Cross-headed screw M6x25</td></tr> <tr><td>11</td><td>4</td><td>Vis cricofixation M6x15</td><td>Cross-headed screw M6x15</td></tr> <tr><td>12</td><td>4</td><td>Vis cricofixation M6x10</td><td>Cross-headed screw M6x10</td></tr> <tr><td>13</td><td>4</td><td>Vis cricofixation M6x20</td><td>Cross-headed screw M6x20</td></tr> <tr><td>14</td><td>4</td><td>Vis cricofixation M5x40</td><td>Cross-headed screw M5x40</td></tr> <tr><td>15</td><td>4</td><td>Vis cricofixation M5x20</td><td>Cross-headed screw M5x20</td></tr> <tr><td>16</td><td>2</td><td>Vis cricofixation M5x12</td><td>Cross-headed screw M5x12</td></tr> <tr><td>17</td><td>2</td><td>Vis CBHC M5x12</td><td>Screw CBHC M5x12</td></tr> <tr><td>18</td><td>4</td><td>Vis cricofixation M6x40</td><td>Cross-headed screw M6x40</td></tr> <tr><td>19</td><td>4</td><td>Vis cricofixation M6x20</td><td>Cross-headed screw M6x20</td></tr> </tbody> </table>			Rep	Qté	Désignation	Désignation	1	6	Rondelle M6	Washer M6	2	8	Rondelle plate M6	Washer M6	3	4	Ecartouche Ø12xØ5 lg 6	Spacer Ø12xØ5 lg 6	4	4	Ecartouche Ø12xØ5 lg 18	Spacer Ø12xØ5 lg 18	5	4	Ecartouche Ø13xØ8,4 lg 6,3	Spacer Ø13xØ8,4 lg 6,3	6	4	Ecartouche Ø13xØ8,4 lg 12	Spacer Ø13xØ8,4 lg 12	7	4	Ecartouche Ø13xØ8,4 lg 24	Spacer Ø13xØ8,4 lg 24	8	4	Vis cricofixation M6x50	Cross-headed screw M6x50	9	4	Vis cricofixation M6x35	Cross-headed screw M6x35	10	4	Vis cricofixation M6x25	Cross-headed screw M6x25	11	4	Vis cricofixation M6x15	Cross-headed screw M6x15	12	4	Vis cricofixation M6x10	Cross-headed screw M6x10	13	4	Vis cricofixation M6x20	Cross-headed screw M6x20	14	4	Vis cricofixation M5x40	Cross-headed screw M5x40	15	4	Vis cricofixation M5x20	Cross-headed screw M5x20	16	2	Vis cricofixation M5x12	Cross-headed screw M5x12	17	2	Vis CBHC M5x12	Screw CBHC M5x12	18	4	Vis cricofixation M6x40	Cross-headed screw M6x40	19	4	Vis cricofixation M6x20	Cross-headed screw M6x20
Rep	Qté	Désignation	Désignation																																																																																
1	6	Rondelle M6	Washer M6																																																																																
2	8	Rondelle plate M6	Washer M6																																																																																
3	4	Ecartouche Ø12xØ5 lg 6	Spacer Ø12xØ5 lg 6																																																																																
4	4	Ecartouche Ø12xØ5 lg 18	Spacer Ø12xØ5 lg 18																																																																																
5	4	Ecartouche Ø13xØ8,4 lg 6,3	Spacer Ø13xØ8,4 lg 6,3																																																																																
6	4	Ecartouche Ø13xØ8,4 lg 12	Spacer Ø13xØ8,4 lg 12																																																																																
7	4	Ecartouche Ø13xØ8,4 lg 24	Spacer Ø13xØ8,4 lg 24																																																																																
8	4	Vis cricofixation M6x50	Cross-headed screw M6x50																																																																																
9	4	Vis cricofixation M6x35	Cross-headed screw M6x35																																																																																
10	4	Vis cricofixation M6x25	Cross-headed screw M6x25																																																																																
11	4	Vis cricofixation M6x15	Cross-headed screw M6x15																																																																																
12	4	Vis cricofixation M6x10	Cross-headed screw M6x10																																																																																
13	4	Vis cricofixation M6x20	Cross-headed screw M6x20																																																																																
14	4	Vis cricofixation M5x40	Cross-headed screw M5x40																																																																																
15	4	Vis cricofixation M5x20	Cross-headed screw M5x20																																																																																
16	2	Vis cricofixation M5x12	Cross-headed screw M5x12																																																																																
17	2	Vis CBHC M5x12	Screw CBHC M5x12																																																																																
18	4	Vis cricofixation M6x40	Cross-headed screw M6x40																																																																																
19	4	Vis cricofixation M6x20	Cross-headed screw M6x20																																																																																
Notice de montage Assembly instruction																																																																																			

OPTIONS		
<i>Un support codec Codec holder</i>	SCUV12	

- Colis N°2 : colonne avec carter + trappe avant  
*Package N°2 : column with rear cover + front hatch*



- Colis N°3 : barre double écran avec 4 vis TBHC à embase M6x16  
*Package N°3 : dual bar with 4 screws TBHC M6x16*



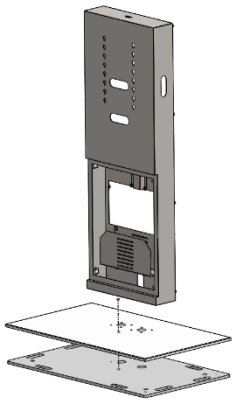
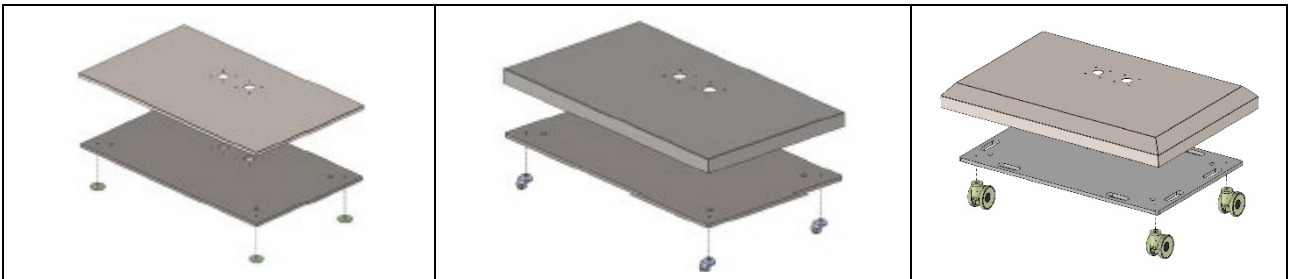
## NOTICE DE MONTAGE / ASSEMBLY INSTRUCTIONS

### **Etape 1 :**

- Selon l'option choisie, assembler les patins téflons ou les roulettes Ø35 ou les roulettes Ø100
- Puis, placer l'habillage sur le socle

### **Step 1 :**

- *According to the option, fix the Teflon pads or the Ø35 castors or the Ø100 castors*
- *Then, place the cover on the base*



### **Etape 2 :**

- Monter la colonne sur le socle  
(8 rondelles M8 + 8 vis CHC M8x20)

### **Step 2 :**

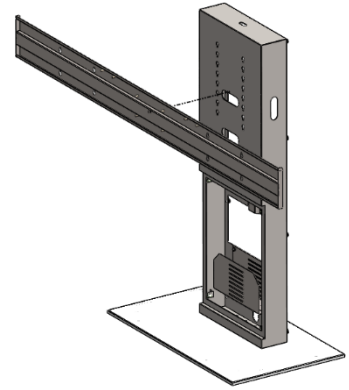
- *Fix the column to the base (8 CHC M8x20 screws + 8 M8 washers)*

## **Etape 3 :**

- Monter la barre double sur la colonne  
(5 positions possibles) (4 vis TBHC à embase M6x16)

### **Step 3 :**

- *Fix the dual bar onto the column (5 possible positions)  
(4 screws TBHC M6x16)*

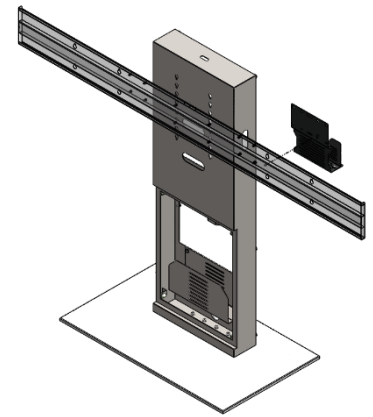


## **Etape 4 :** (option support codec)

- Monter la support codec derrière la barre double  
(4 Vis CHC M6x20 / 4 écrous moletés M5)

### **Step 4 :** (codec holder option)

- *Fix the codec holder behind the dual bar  
(4x M6x20 CHC screws / 4x M5 knurled nuts)*

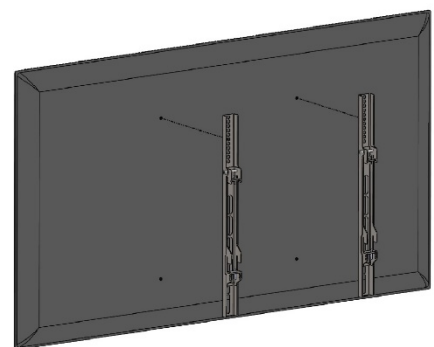


## **Etape 5 :**

- Monter les paires de fixations réglables sur les écrans  
(vis fournies dans le kit visserie écran)

### **Step 5 :**

- *Fix the mounting brackets on the screens  
(screws provided in the bolting kit)*



## Etape 6 :

- Monter les écrans sur la barre double
- Ajuster les écrans
- Sécuriser les écrans

### **Attention :**

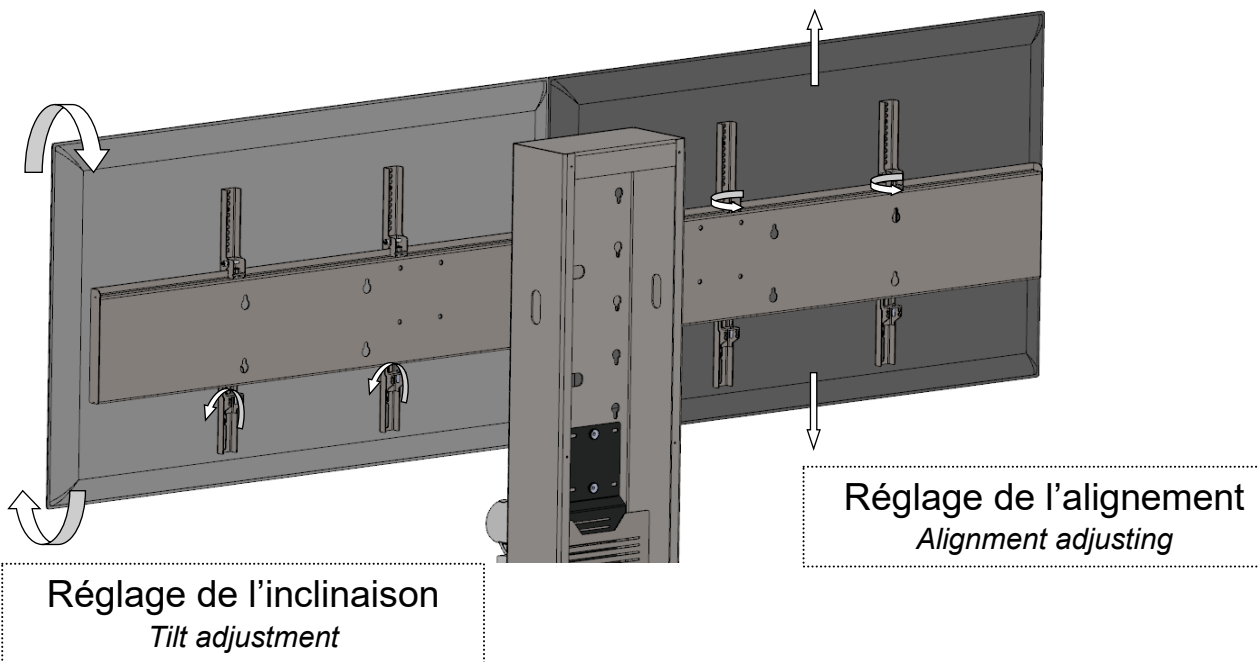
Serrage juste en contact.  
Ne pas serrer trop fort

## Step 6 :

- *Fix the screen on the dual bar*
- *Adjust the screens*
- *Secure the screens*

### **Warning :**

Tightening just in contact.  
Do not tighten too hard



## Etape 7 :

- Procéder au câblage

## Step 7 :

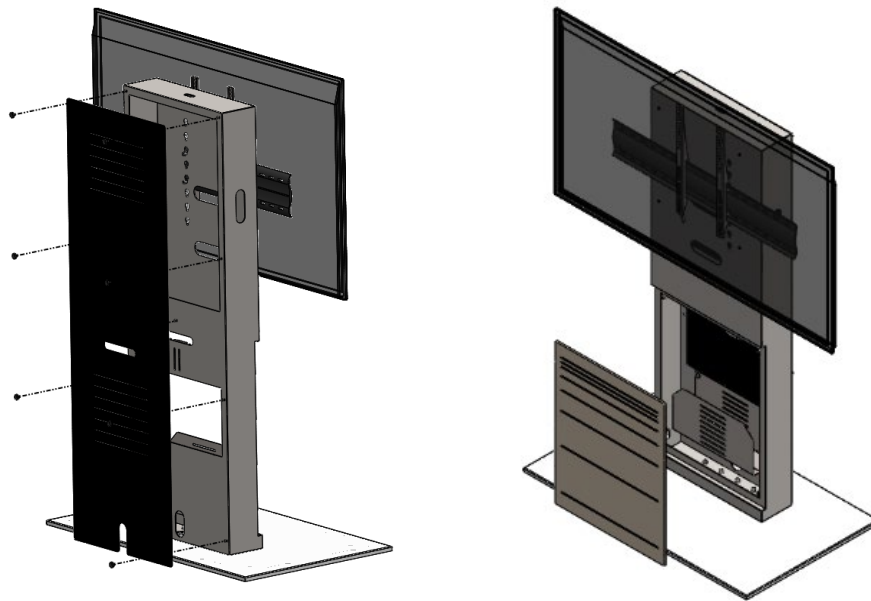
- *Proceed with cabling*

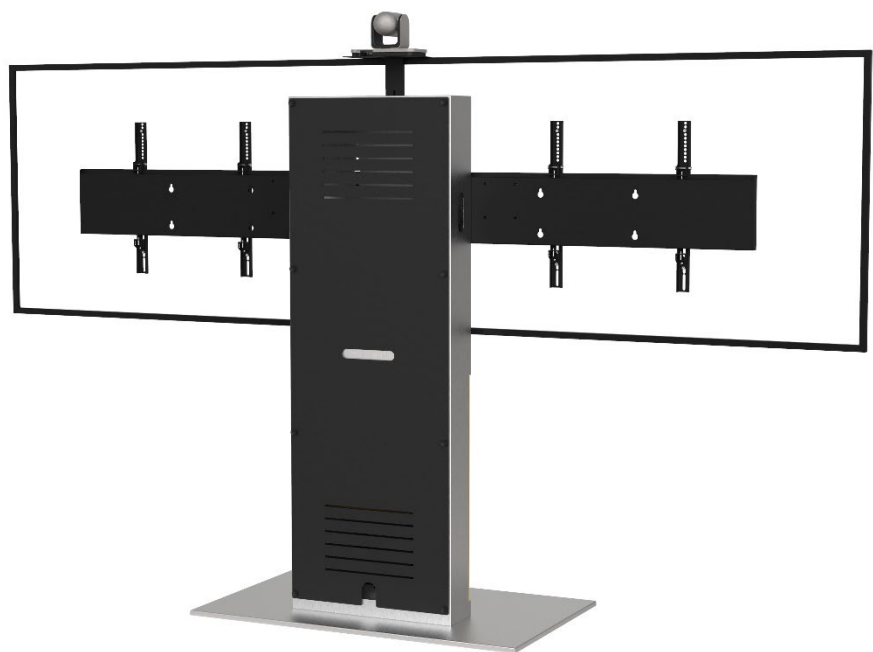
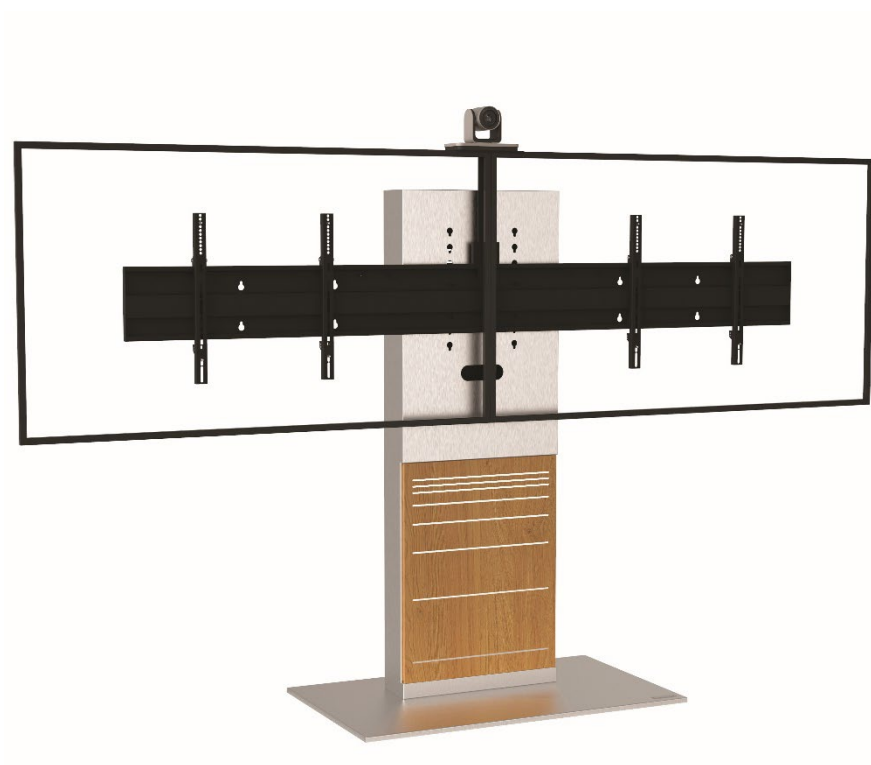
## Etape 8 :

- Retirer les films de protection du carter avant de le monter sur la colonne (8 vis moletées M5)
- Positionner la trappe d'accès

## Step 8 :

- *Remove the protective film of the rear cover before fitting them on the column (8 knurled screws M5)*
- *Position the access hatch*





**Le montage de votre XENON WIDE est terminé !**

***Your XENON WIDE is ready !***