

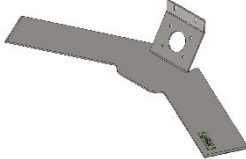






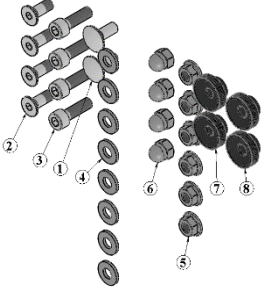
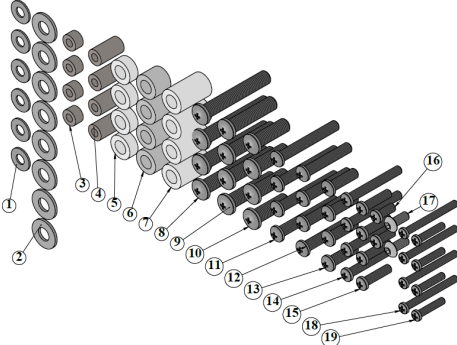
Notice de montage / Assembly instructions

X-PRESS




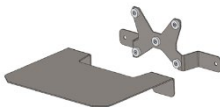
Composition / Packing list :

- Colis N°1 : socle + accessoires
Package N°1 : base + accessories

<p>Socle Base</p>																																																																																	
<p>1 barre VESA 1 VESA bar</p>																																																																																	
<p>Paire de fixations fixes Mounting brackets</p>																																																																																	
<p>Une platine de fixation avec vis prémontées Fixing plate with pre-mounted screws</p>																																																																																	
<p>Une multiprise (unavailable for UK/DE)</p>																																																																																	
<p>8 Colliers de serrage 8 plastic clamps</p>																																																																																	
<p>Un jeu de clés Allen key set</p>																																																																																	
<p>Un kit visserie meuble X-Press Bolting kit (furniture)</p>	 <table border="1" data-bbox="1046 1301 1294 1429"> <thead> <tr> <th>Rep</th> <th>Quantité</th> <th>Désignation</th> </tr> </thead> <tbody> <tr> <td>1</td> <td>2</td> <td>Vis type M6x16</td> </tr> <tr> <td>2</td> <td>4</td> <td>Vis type M6x16</td> </tr> <tr> <td>3</td> <td>4</td> <td>Vis type M6x16</td> </tr> <tr> <td>4</td> <td>4</td> <td>Écrou type M6</td> </tr> <tr> <td>5</td> <td>4</td> <td>Écrou type M6</td> </tr> <tr> <td>6</td> <td>4</td> <td>Écrou type M6</td> </tr> <tr> <td>7</td> <td>2</td> <td>Écrou type M6</td> </tr> <tr> <td>8</td> <td>2</td> <td>Écrou type M6</td> </tr> </tbody> </table>	Rep	Quantité	Désignation	1	2	Vis type M6x16	2	4	Vis type M6x16	3	4	Vis type M6x16	4	4	Écrou type M6	5	4	Écrou type M6	6	4	Écrou type M6	7	2	Écrou type M6	8	2	Écrou type M6																																																					
Rep	Quantité	Désignation																																																																															
1	2	Vis type M6x16																																																																															
2	4	Vis type M6x16																																																																															
3	4	Vis type M6x16																																																																															
4	4	Écrou type M6																																																																															
5	4	Écrou type M6																																																																															
6	4	Écrou type M6																																																																															
7	2	Écrou type M6																																																																															
8	2	Écrou type M6																																																																															
<p>Kit visserie écran Bolting kit (screens)</p>	 <table border="1" data-bbox="1153 1619 1382 1839"> <thead> <tr> <th>Rep</th> <th>Quantité</th> <th>Désignation</th> <th>Désignation</th> </tr> </thead> <tbody> <tr> <td>1</td> <td>6</td> <td>Rondelle M6</td> <td>Washer M6</td> </tr> <tr> <td>2</td> <td>8</td> <td>Rondelle plate M6</td> <td>Washer M6</td> </tr> <tr> <td>3</td> <td>4</td> <td>Entretoise 010x05 lg 6</td> <td>Spacer 010x05 lg 6</td> </tr> <tr> <td>4</td> <td>4</td> <td>Entretoise 010x05 lg 18</td> <td>Spacer 010x05 lg 18</td> </tr> <tr> <td>5</td> <td>4</td> <td>Entretoise 010x08.4 lg 6.5</td> <td>Spacer 010x08.4 lg 6.5</td> </tr> <tr> <td>6</td> <td>4</td> <td>Entretoise 010x08.4 lg 12</td> <td>Spacer 010x08.4 lg 12</td> </tr> <tr> <td>7</td> <td>4</td> <td>Entretoise 010x08.4 lg 24</td> <td>Spacer 010x08.4 lg 24</td> </tr> <tr> <td>8</td> <td>4</td> <td>Vis criciforme M6x20</td> <td>Cross-banded screw M6x20</td> </tr> <tr> <td>9</td> <td>4</td> <td>Vis criciforme M6x35</td> <td>Cross-banded screw M6x35</td> </tr> <tr> <td>10</td> <td>4</td> <td>Vis criciforme M6x25</td> <td>Cross-banded screw M6x25</td> </tr> <tr> <td>11</td> <td>4</td> <td>Vis criciforme M6x45</td> <td>Cross-banded screw M6x45</td> </tr> <tr> <td>12</td> <td>4</td> <td>Vis criciforme M6x35</td> <td>Cross-banded screw M6x35</td> </tr> <tr> <td>13</td> <td>4</td> <td>Vis criciforme M6x20</td> <td>Cross-banded screw M6x20</td> </tr> <tr> <td>14</td> <td>4</td> <td>Vis criciforme M6x40</td> <td>Cross-banded screw M6x40</td> </tr> <tr> <td>15</td> <td>4</td> <td>Vis criciforme M6x20</td> <td>Cross-banded screw M6x20</td> </tr> <tr> <td>16</td> <td>2</td> <td>Vis criciforme M6x12</td> <td>Cross-banded screw M6x12</td> </tr> <tr> <td>17</td> <td>2</td> <td>Vis CRICIFORME M6x12</td> <td>Screw CRICIFORM M6x12</td> </tr> <tr> <td>18</td> <td>4</td> <td>Vis criciforme M6x40</td> <td>Cross-banded screw M6x40</td> </tr> <tr> <td>19</td> <td>4</td> <td>Vis criciforme M6x20</td> <td>Cross-banded screw M6x20</td> </tr> </tbody> </table>	Rep	Quantité	Désignation	Désignation	1	6	Rondelle M6	Washer M6	2	8	Rondelle plate M6	Washer M6	3	4	Entretoise 010x05 lg 6	Spacer 010x05 lg 6	4	4	Entretoise 010x05 lg 18	Spacer 010x05 lg 18	5	4	Entretoise 010x08.4 lg 6.5	Spacer 010x08.4 lg 6.5	6	4	Entretoise 010x08.4 lg 12	Spacer 010x08.4 lg 12	7	4	Entretoise 010x08.4 lg 24	Spacer 010x08.4 lg 24	8	4	Vis criciforme M6x20	Cross-banded screw M6x20	9	4	Vis criciforme M6x35	Cross-banded screw M6x35	10	4	Vis criciforme M6x25	Cross-banded screw M6x25	11	4	Vis criciforme M6x45	Cross-banded screw M6x45	12	4	Vis criciforme M6x35	Cross-banded screw M6x35	13	4	Vis criciforme M6x20	Cross-banded screw M6x20	14	4	Vis criciforme M6x40	Cross-banded screw M6x40	15	4	Vis criciforme M6x20	Cross-banded screw M6x20	16	2	Vis criciforme M6x12	Cross-banded screw M6x12	17	2	Vis CRICIFORME M6x12	Screw CRICIFORM M6x12	18	4	Vis criciforme M6x40	Cross-banded screw M6x40	19	4	Vis criciforme M6x20	Cross-banded screw M6x20
Rep	Quantité	Désignation	Désignation																																																																														
1	6	Rondelle M6	Washer M6																																																																														
2	8	Rondelle plate M6	Washer M6																																																																														
3	4	Entretoise 010x05 lg 6	Spacer 010x05 lg 6																																																																														
4	4	Entretoise 010x05 lg 18	Spacer 010x05 lg 18																																																																														
5	4	Entretoise 010x08.4 lg 6.5	Spacer 010x08.4 lg 6.5																																																																														
6	4	Entretoise 010x08.4 lg 12	Spacer 010x08.4 lg 12																																																																														
7	4	Entretoise 010x08.4 lg 24	Spacer 010x08.4 lg 24																																																																														
8	4	Vis criciforme M6x20	Cross-banded screw M6x20																																																																														
9	4	Vis criciforme M6x35	Cross-banded screw M6x35																																																																														
10	4	Vis criciforme M6x25	Cross-banded screw M6x25																																																																														
11	4	Vis criciforme M6x45	Cross-banded screw M6x45																																																																														
12	4	Vis criciforme M6x35	Cross-banded screw M6x35																																																																														
13	4	Vis criciforme M6x20	Cross-banded screw M6x20																																																																														
14	4	Vis criciforme M6x40	Cross-banded screw M6x40																																																																														
15	4	Vis criciforme M6x20	Cross-banded screw M6x20																																																																														
16	2	Vis criciforme M6x12	Cross-banded screw M6x12																																																																														
17	2	Vis CRICIFORME M6x12	Screw CRICIFORM M6x12																																																																														
18	4	Vis criciforme M6x40	Cross-banded screw M6x40																																																																														
19	4	Vis criciforme M6x20	Cross-banded screw M6x20																																																																														
<p>Notice de montage Assembly instruction</p>																																																																																	

- Colis N°2 : colonne
Package N°2 : column



OPTIONS		
<i>Un support codec Codec holder</i>	SCUV12_XPRESS	
<i>Une tablette caméra Camera shelf</i>	AX055-05	

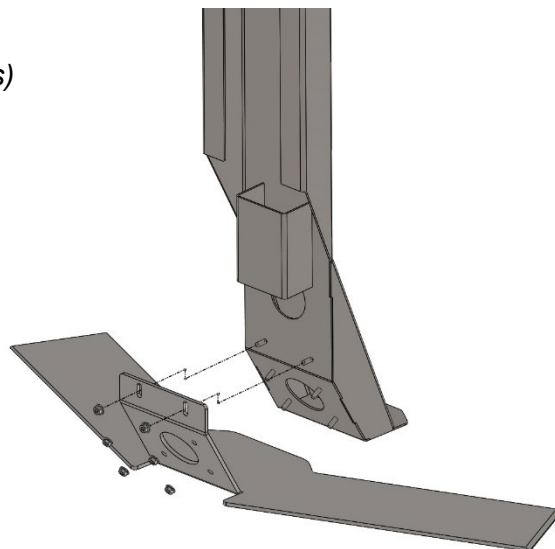
NOTICE DE MONTAGE / ASSEMBLY INSTRUCTIONS

Etape 1 :

- Monter le socle sur la colonne (6 écrous à embases M6)

Step 1 :

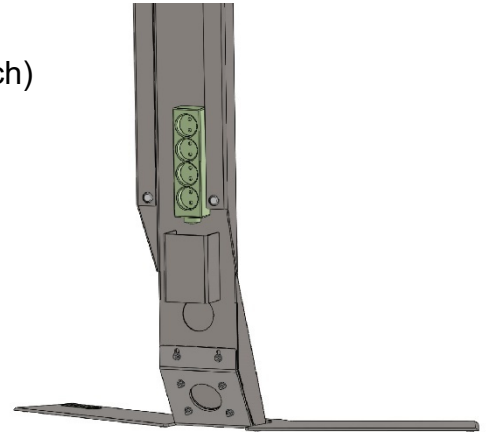
- Fix the base to the column (6 x M6 flange nuts)



Etape 2 :

- Fixer la multiprise à l'intérieur de la colonne (scratch)
- Procéder au câblage

Step 2 : (unavailable for UK/DE)



Etape 3 :

- Poser l'ensemble contre le mur

Step 3 :

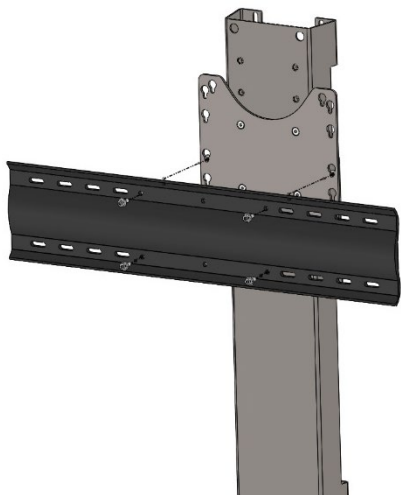
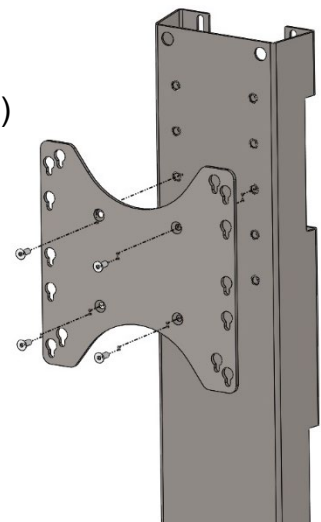
- Put the stand against the wall

Etape 4 :

- Fixer la platine de fixation sur la colonne (4 vis FHC M6)

Step 4 :

- Fix the plate to the column (4 x FHC M6 screws)



Etape 5 :

- Fixer la barre VESA sur la platine de fixation (4 vis CHC M6 + 8 rondelles + 4 écrous borgne M6)

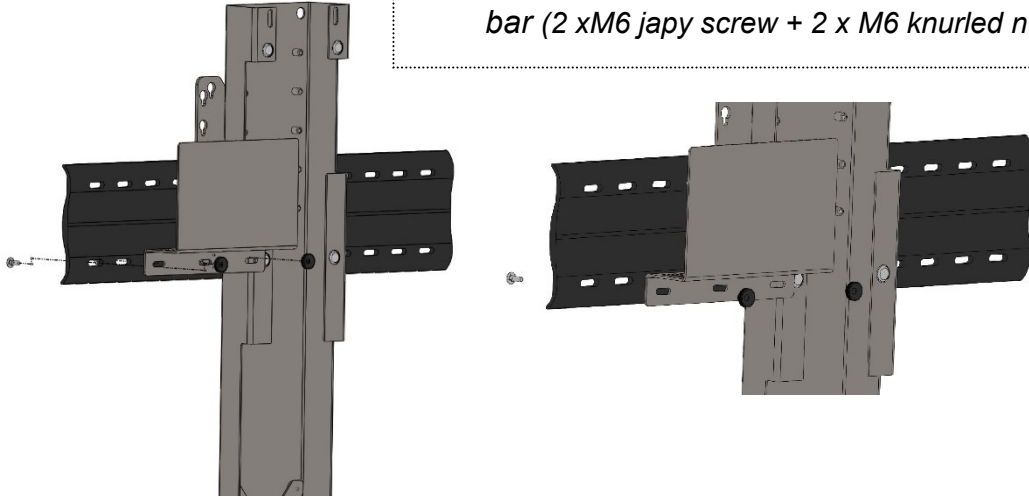
Step 5 :

- Fix the VESA bar to the plate (4 x CHC M6 screws + 8 washers + 4 x M6 cap nut)

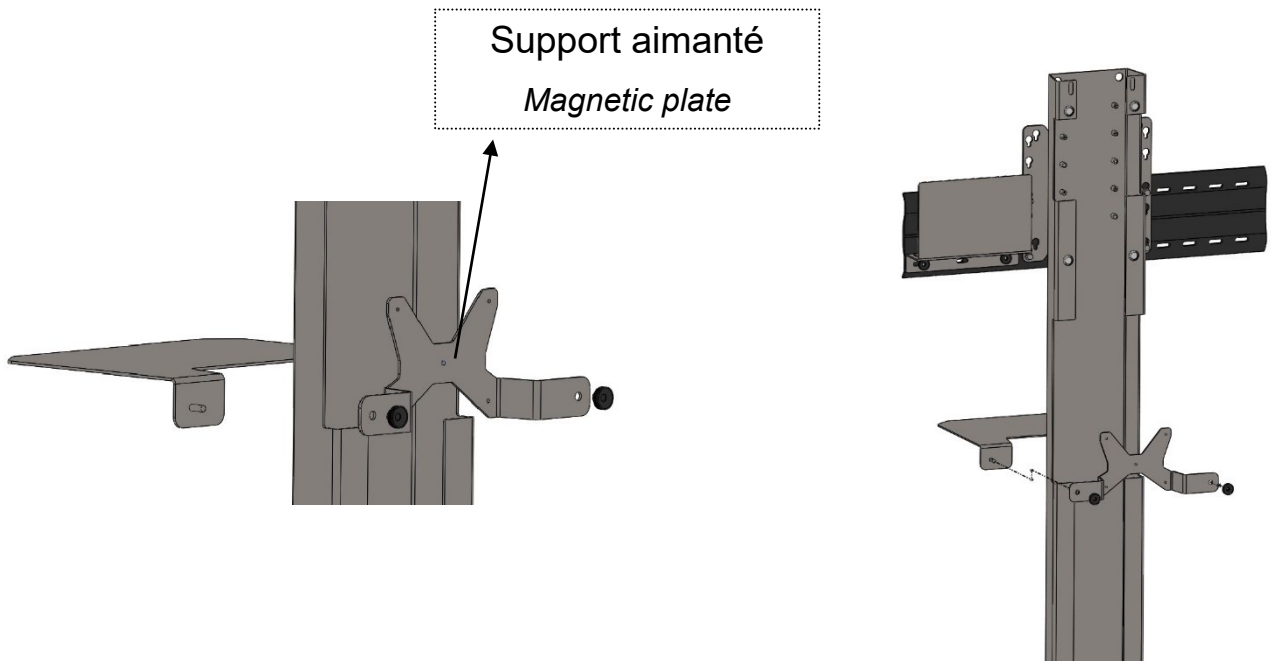
Etape 6 : (option visio)

Step 6 : (VC option)

- Fixer le support codec à l'arrière de la barre VESA (2 vis japy M6 + 2 écrous moletés M6)
- *Fix the codec holder to the rear of the VESA bar (2 x M6 japy screw + 2 x M6 knurled nut)*



- Placer le support aimanté à l'intérieur de la colonne puis assembler la tablette devant la colonne (2 écrous moletés M6)
- *Fix the magnetic part inside the column and fix the shelf to the front of the column (2 x M6 knurled nut)*

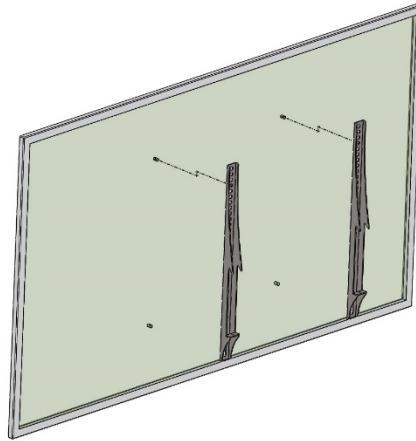


Etape 7 :

- Monter la paire de fixations fixes sur l'écran (vis fournies dans le kit visserie écran)

Step 7 :

- *Fix the mounting brackets to the screen (bolting kit for screen)*

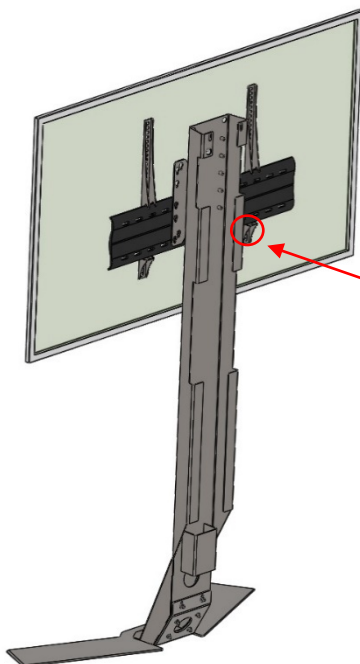


Etape 8 :

- Monter l'écran sur la barre VESA
- Sécuriser l'écran (vis M5 fournies dans le kit visserie écran)

Step 8 :

- *Fix the screen to the VESA bar*
- *Secure the screen (M5 screws provided in the bolting kit)*

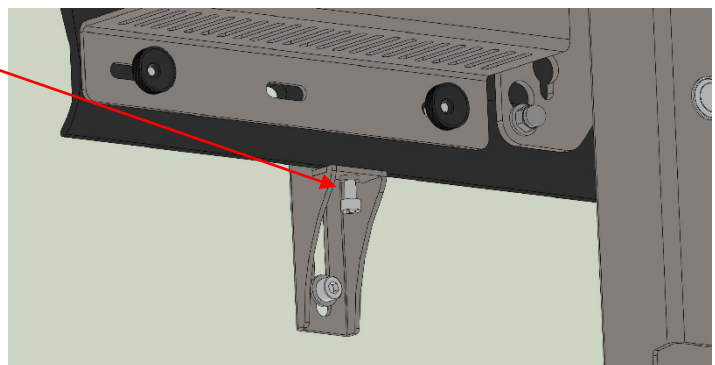


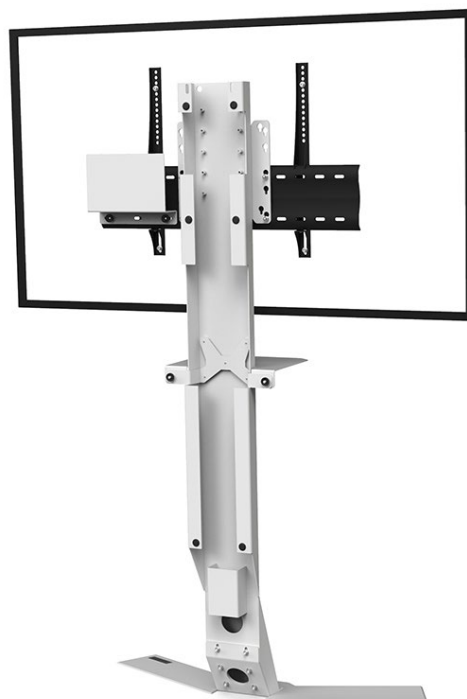
Attention :

Serrage juste en contact.
Ne pas serrer trop fort

Warning :

Tightening just in contact.
Do not tighten too hard





Le montage de votre X-PRESS est terminé !

Your X-PRESS is ready !