

Notice de montage / Assembly instructions

EKINOX XL double écran / EKINOX XL dual screen



Composition / Packing list :

- Colis N°1 : socle XL avec roulettes

Package N°1 : XL base with casters



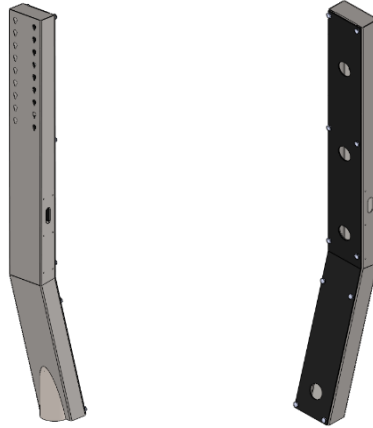
- Colis N°2 : accessoires

Package N°2 : accessories

<p>2 paire de fixations réglables 2 mounting brackets</p>																																																																																	
<p>Une platine de fixation avec vis prémontées Fixing plate with pre-mounted screws</p>																																																																																	
<p>Une multiprise (unavailable for UK/DE)</p>																																																																																	
<p>8 Colliers de serrage 8 plastic clamps</p>																																																																																	
<p>Un jeu de clés Allen Allen key set</p>																																																																																	
<p>Un kit visserie meuble Bolting kit (furniture)</p>	<table border="1" data-bbox="1109 1288 1276 1568"> <thead> <tr> <th>Rep</th> <th>Qté</th> <th>Désignation</th> </tr> </thead> <tbody> <tr><td>1</td><td>16</td><td>Bouchon M5</td></tr> <tr><td>2</td><td>4</td><td>Vis japy M5x15</td></tr> <tr><td>3</td><td>2</td><td>Vis CHC M4x25</td></tr> <tr><td>4</td><td>2</td><td>Vis CHC M5x25</td></tr> <tr><td>5</td><td>12</td><td>Vis CHC M6x20</td></tr> <tr><td>6</td><td>6</td><td>Vis CHC M8x16</td></tr> <tr><td>7</td><td>2</td><td>Rondelle plate M4</td></tr> <tr><td>8</td><td>2</td><td>Rondelle plate M5</td></tr> <tr><td>9</td><td>12</td><td>Rondelle plate M6</td></tr> <tr><td>10</td><td>6</td><td>Rondelle plate M8</td></tr> <tr><td>11</td><td>8</td><td>Vis molette M5</td></tr> <tr><td>12</td><td>4</td><td>Ecrou molette M5</td></tr> <tr><td>13</td><td>4</td><td>Ecrou bague M6</td></tr> </tbody> </table>	Rep	Qté	Désignation	1	16	Bouchon M5	2	4	Vis japy M5x15	3	2	Vis CHC M4x25	4	2	Vis CHC M5x25	5	12	Vis CHC M6x20	6	6	Vis CHC M8x16	7	2	Rondelle plate M4	8	2	Rondelle plate M5	9	12	Rondelle plate M6	10	6	Rondelle plate M8	11	8	Vis molette M5	12	4	Ecrou molette M5	13	4	Ecrou bague M6																																						
Rep	Qté	Désignation																																																																															
1	16	Bouchon M5																																																																															
2	4	Vis japy M5x15																																																																															
3	2	Vis CHC M4x25																																																																															
4	2	Vis CHC M5x25																																																																															
5	12	Vis CHC M6x20																																																																															
6	6	Vis CHC M8x16																																																																															
7	2	Rondelle plate M4																																																																															
8	2	Rondelle plate M5																																																																															
9	12	Rondelle plate M6																																																																															
10	6	Rondelle plate M8																																																																															
11	8	Vis molette M5																																																																															
12	4	Ecrou molette M5																																																																															
13	4	Ecrou bague M6																																																																															
<p>2 Kits visserie écran 2 Bolting kits (screens)</p>	<table border="1" data-bbox="1149 1579 1380 1803"> <thead> <tr> <th>Rep</th> <th>Qté</th> <th>Désignation</th> <th>Désignation</th> </tr> </thead> <tbody> <tr><td>1</td><td>6</td><td>Rondelle M6</td><td>Washer M6</td></tr> <tr><td>2</td><td>8</td><td>Rondelle plate M8</td><td>Washer M8</td></tr> <tr><td>3</td><td>4</td><td>Entrenose 015x05 lg 6</td><td>Spacer 015x05 lg 6</td></tr> <tr><td>4</td><td>4</td><td>Entrenose 015x05 lg 18</td><td>Spacer 015x05 lg 18</td></tr> <tr><td>5</td><td>4</td><td>Entrenose 015x08.4 lg 6.3</td><td>Spacer 015x08.4 lg 6.3</td></tr> <tr><td>6</td><td>4</td><td>Entrenose 015x08.4 lg 12</td><td>Spacer 015x08.4 lg 12</td></tr> <tr><td>7</td><td>4</td><td>Entrenose 015x08.4 lg 24</td><td>Spacer 015x08.4 lg 24</td></tr> <tr><td>8</td><td>4</td><td>Vis cruciforme M8x50</td><td>Cross-headed screw M8x50</td></tr> <tr><td>9</td><td>4</td><td>Vis cruciforme M8x35</td><td>Cross-headed screw M8x35</td></tr> <tr><td>10</td><td>4</td><td>Vis cruciforme M8x25</td><td>Cross-headed screw M8x25</td></tr> <tr><td>11</td><td>4</td><td>Vis cruciforme M6x45</td><td>Cross-headed screw M6x45</td></tr> <tr><td>12</td><td>4</td><td>Vis cruciforme M6x35</td><td>Cross-headed screw M6x35</td></tr> <tr><td>13</td><td>4</td><td>Vis cruciforme M6x20</td><td>Cross-headed screw M6x20</td></tr> <tr><td>14</td><td>4</td><td>Vis cruciforme M5x40</td><td>Cross-headed screw M5x40</td></tr> <tr><td>15</td><td>4</td><td>Vis cruciforme M5x20</td><td>Cross-headed screw M5x20</td></tr> <tr><td>16</td><td>2</td><td>Vis CHC M5x12</td><td>Cross-headed screw M5x12</td></tr> <tr><td>17</td><td>2</td><td>Vis CHC M5x12</td><td>Screw CHC M5x12</td></tr> <tr><td>18</td><td>4</td><td>Vis cruciforme M4x40</td><td>Cross-headed screw M4x40</td></tr> <tr><td>19</td><td>4</td><td>Vis cruciforme M4x20</td><td>Cross-headed screw M4x20</td></tr> </tbody> </table>	Rep	Qté	Désignation	Désignation	1	6	Rondelle M6	Washer M6	2	8	Rondelle plate M8	Washer M8	3	4	Entrenose 015x05 lg 6	Spacer 015x05 lg 6	4	4	Entrenose 015x05 lg 18	Spacer 015x05 lg 18	5	4	Entrenose 015x08.4 lg 6.3	Spacer 015x08.4 lg 6.3	6	4	Entrenose 015x08.4 lg 12	Spacer 015x08.4 lg 12	7	4	Entrenose 015x08.4 lg 24	Spacer 015x08.4 lg 24	8	4	Vis cruciforme M8x50	Cross-headed screw M8x50	9	4	Vis cruciforme M8x35	Cross-headed screw M8x35	10	4	Vis cruciforme M8x25	Cross-headed screw M8x25	11	4	Vis cruciforme M6x45	Cross-headed screw M6x45	12	4	Vis cruciforme M6x35	Cross-headed screw M6x35	13	4	Vis cruciforme M6x20	Cross-headed screw M6x20	14	4	Vis cruciforme M5x40	Cross-headed screw M5x40	15	4	Vis cruciforme M5x20	Cross-headed screw M5x20	16	2	Vis CHC M5x12	Cross-headed screw M5x12	17	2	Vis CHC M5x12	Screw CHC M5x12	18	4	Vis cruciforme M4x40	Cross-headed screw M4x40	19	4	Vis cruciforme M4x20	Cross-headed screw M4x20
Rep	Qté	Désignation	Désignation																																																																														
1	6	Rondelle M6	Washer M6																																																																														
2	8	Rondelle plate M8	Washer M8																																																																														
3	4	Entrenose 015x05 lg 6	Spacer 015x05 lg 6																																																																														
4	4	Entrenose 015x05 lg 18	Spacer 015x05 lg 18																																																																														
5	4	Entrenose 015x08.4 lg 6.3	Spacer 015x08.4 lg 6.3																																																																														
6	4	Entrenose 015x08.4 lg 12	Spacer 015x08.4 lg 12																																																																														
7	4	Entrenose 015x08.4 lg 24	Spacer 015x08.4 lg 24																																																																														
8	4	Vis cruciforme M8x50	Cross-headed screw M8x50																																																																														
9	4	Vis cruciforme M8x35	Cross-headed screw M8x35																																																																														
10	4	Vis cruciforme M8x25	Cross-headed screw M8x25																																																																														
11	4	Vis cruciforme M6x45	Cross-headed screw M6x45																																																																														
12	4	Vis cruciforme M6x35	Cross-headed screw M6x35																																																																														
13	4	Vis cruciforme M6x20	Cross-headed screw M6x20																																																																														
14	4	Vis cruciforme M5x40	Cross-headed screw M5x40																																																																														
15	4	Vis cruciforme M5x20	Cross-headed screw M5x20																																																																														
16	2	Vis CHC M5x12	Cross-headed screw M5x12																																																																														
17	2	Vis CHC M5x12	Screw CHC M5x12																																																																														
18	4	Vis cruciforme M4x40	Cross-headed screw M4x40																																																																														
19	4	Vis cruciforme M4x20	Cross-headed screw M4x20																																																																														
<p>Notice de montage Assembly instruction</p>																																																																																	

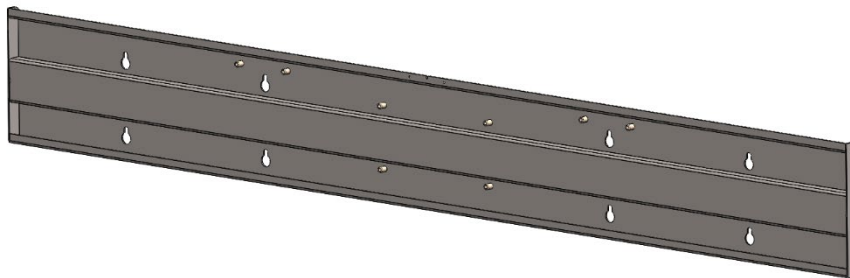
- Colis N°3 : colonne avec carter


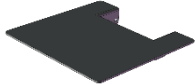
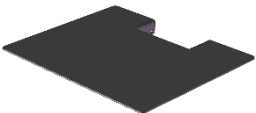
Package N°3 : column with carter



- Colis N°4 : barre double écran avec 4 vis TBHC à embase M6x16

Package N°4 : Dual bar with 4 screws TBHC M6x16



OPTIONS		
<i>Un support codec Codec holder</i>	SCUV12	
<i>Une tablette petit format Small shelf</i>	AX0011	
<i>Une tablette grand format Large shelf</i>	AX0012	

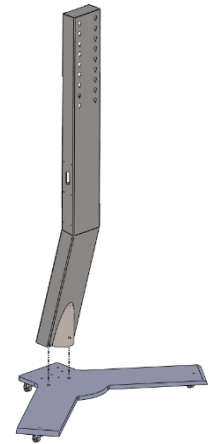
NOTICE DE MONTAGE / ASSEMBLY INSTRUCTIONS

Etape 1 :

- Monter la colonne sur le socle
(4 vis CHC M8x16 + 4 rondelles M8)

Step 1 :

- Fix the column to the base (4 CHC M8x16 screws + 4 M8 washers)

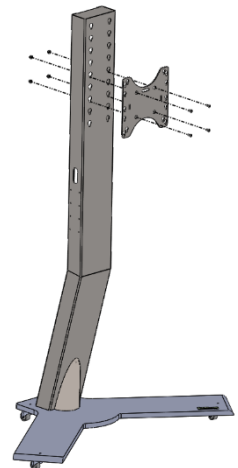


Etape 2 :

- Retirer le film de protection et positionner la platine de fixation avec vis prémontées, sur la colonne
(7 positions possibles)

Step 2 :

- Remove the protection film and fix the plate with pre-assembled screws on the column (7 possible positions)

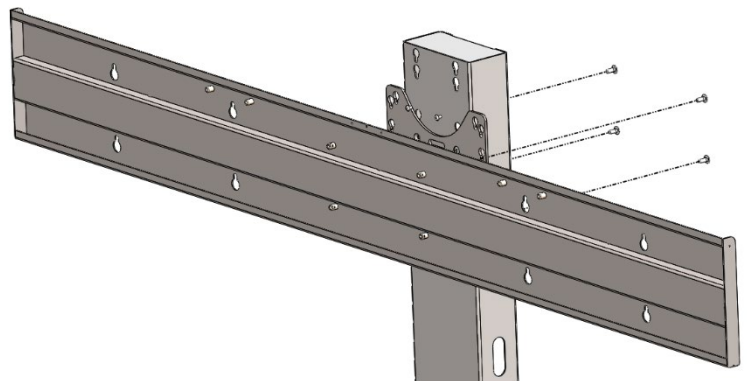


Etape 3 :

- Monter la barre double sur la platine
(4 vis TBHC à embase M6x16)

Step 3 :

- Fix the dual bar on the plate
(4 screws TBHC M6x16)

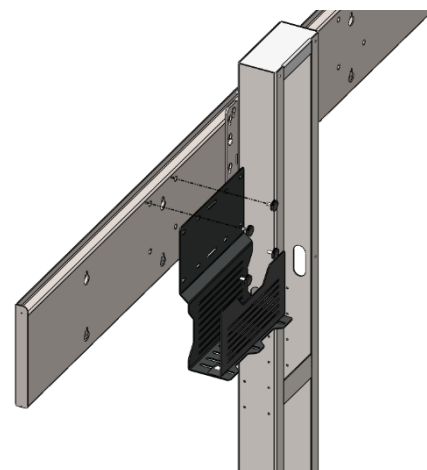


Etape 4 : (option support codec)

- Monter le support codec derrière la barre double
(4 vis moletée M5)

Step 4 : (codec holder option)

- Fit the codec holder behind the dual bar
(4 Knurled screws M5)

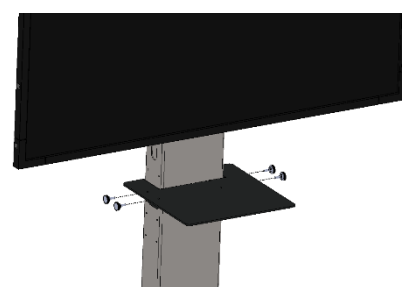


Etape 5 : (option tablette petit format)

- Monter la tablette petit format sur la colonne
(4 vis moletées M5)

Step 5 : (small shelf option)

- Fix the small shelf on the column
(4 knurled screws M5)

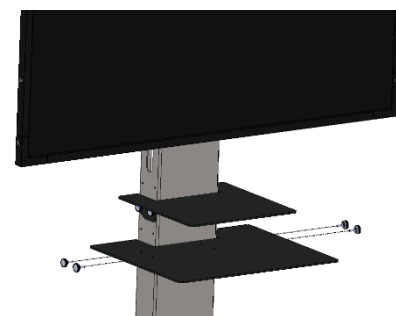


Etape 6 : (option tablette grand format)

- Monter la tablette grand format sur la colonne
(4 vis moletées M5)

Step 7 : (large shelf option)

- Fix the large shelf on the column
(4 knurled screws M5)

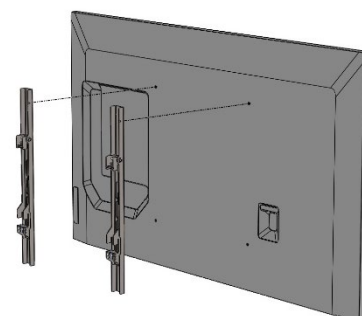


Etape 7 :

- Monter les paires de fixations réglables sur les écrans
(vis fournies dans le kit visserie écran)

Step 5 :

- Fit the mountings brackets on the screens
(screws provided in the bolting kit)

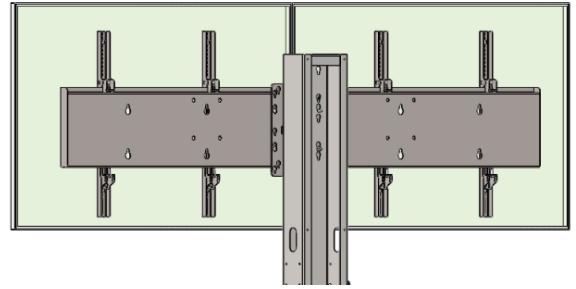


Etape 8 :

- Monter les écrans sur la barre double

Step 6 :

- *Fit the screens on the dual bar*



Etape 9 :

- Procéder au câblage

Step 9 :

- *Proceed with cabling*

Etape 10 :

- Ajuster les écrans
- Sécuriser les écrans.

Step 10 :

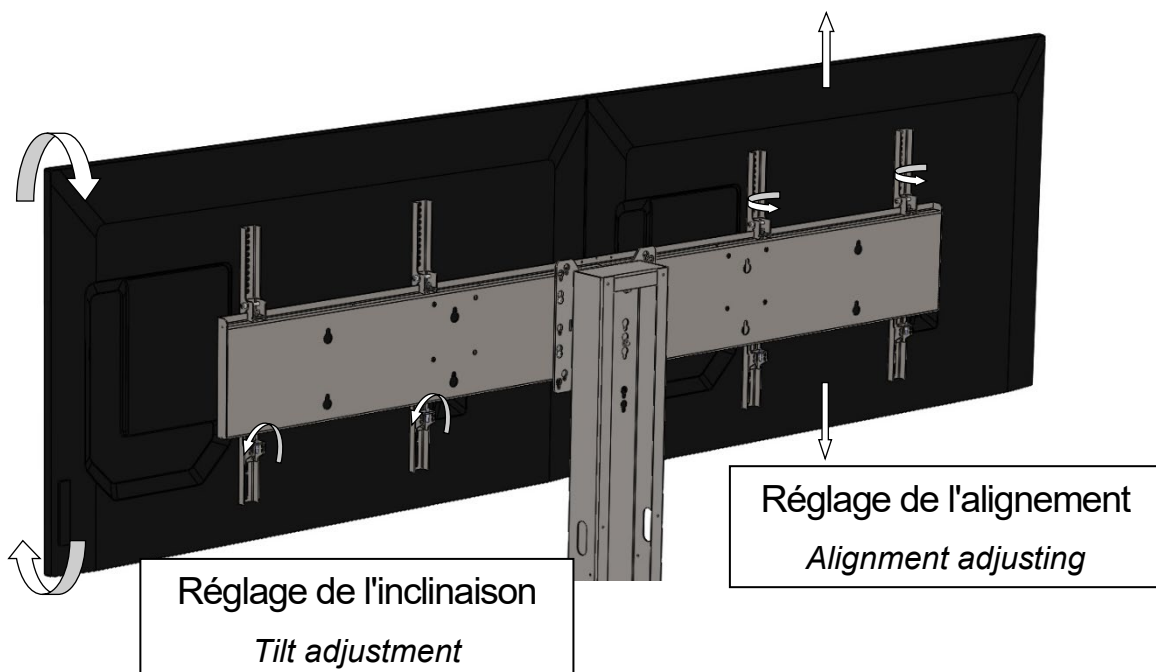
- *Adjust the screens*
- *Secure the screens*

Attention :

Serrage juste en contact.
Ne pas serrer trop fort

Warning :

Tightening just in contact.
Do not tighten too hard

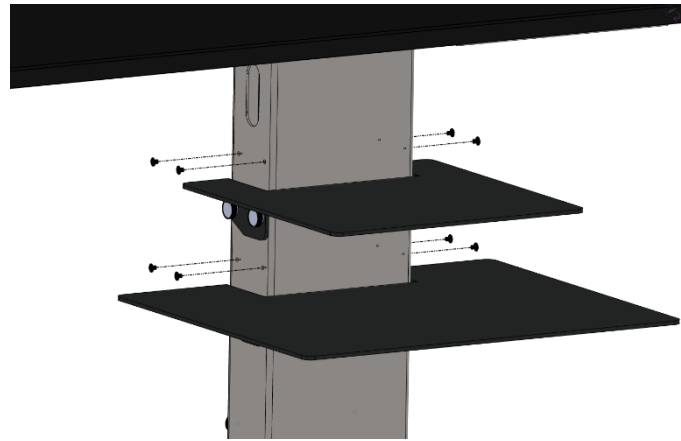


Etape 11 :

- Mettre les bouchons sur la colonne aux emplacements non utilisés

Step 11 :

- *Fit the caps in the empty holes of the column*

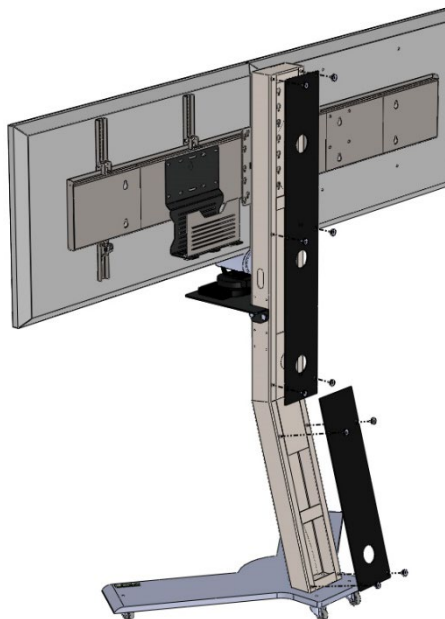


Etape 12 :

- Retirer les films de protection du carter avant de le monter sur la colonne (10 vis moletées M5)

Step 12 :

- *Remove the protective film of the rear cover before fitting it on the column (10 knurled screws M5)*





Le montage de votre EKINOX XL est terminé !

The assembly of your EKINOX XL is over !