

# EKINOX DUAL SCREEN

For two 40 to 65-inch screens



## VIDEOCONFERENCING

Number of screen : 2 screens

Screen size : 40 to 65"

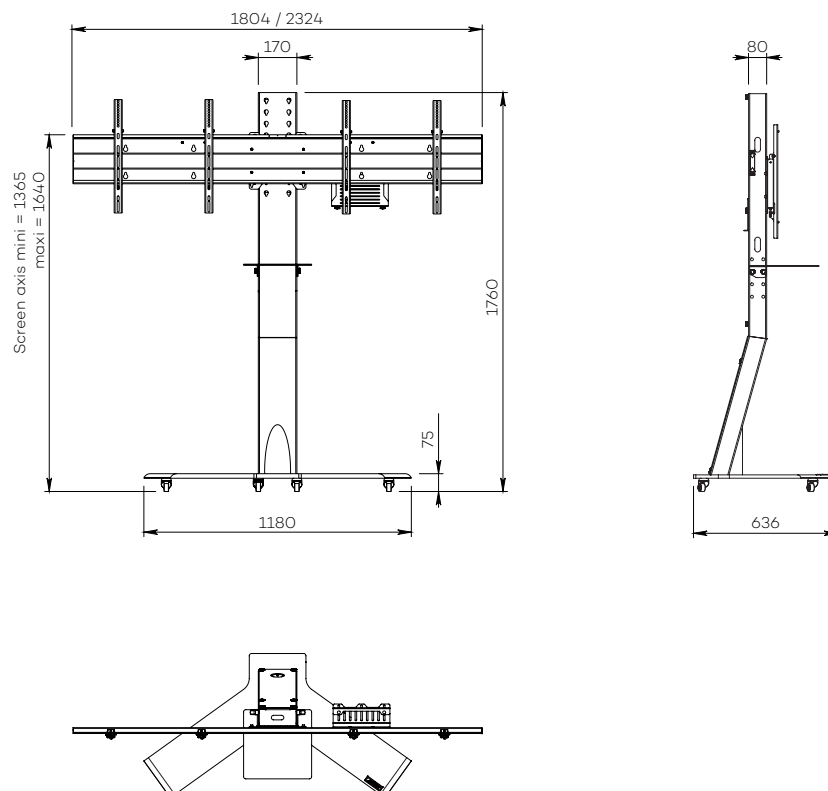
Installation : on casters

Finish : black and  
brushed stainless steel

Part numbers :  
EKINOXD4050VCPACK  
EKINOXD5265VCPACK



Screen simulation 46"



## EKINOX DUAL SCREEN

### • SPECIFICATIONS

Screen size	For two 40 to 50" screens	For two 52 to 65" screens
Part numbers	EKINOXD4050VCPACK	EKINOXD5265VCPACK
Base	Black painted steel	
Base thickness	15 mm	
Casters / Teflon pads	On casters (ø 35 mm pre-assembled)	
Base dimensions (w x d x h)	1179 x 636 x 75 mm	
Column	Brushed stainless steel	
Column back cover	Back in black ecofriendly acrylic glass	
Column dimensions (w x d x h)	170 x 80 x 1680 mm	
Screen fixing	Black painted steel with fixing kit	
Screen fixing size (VESA)	200 x 200 mm to 800 x 400 mm VESA	
Screen axis with adjustable height	1365 mm to 1670 mm	
Maximum screen weight	45 kg/screen	30 kg/screen
Camera shelf with adjustable height	885 mm to 1050 mm 4 positions with 55 mm increments	
Stand weight	85 kg	
Accessories included (VC PACK)	<ul style="list-style-type: none"> <li>• Camera shelf (AX0011) Dimensions (w x d) : 300 mm x 230 mm</li> <li>• Universal codec holder (SCUV12) Depth from 10 mm to 95 mm</li> </ul>	

### • OPTIONS

<b>Large shelf</b> Dimensions (w x d) : 450 mm x 300 mm	P/N: AX0012
<b>Brushed stainless steel &amp; white finish</b> Column in brushed stainless steel Base, back and camera shelf in white	P/N: /WHITE
<b>Full white finish</b> Base, column, back and camera shelf in white	P/N: /FULLWHITE
<b>Full black finish</b> Base, column, back and camera shelf in black	P/N: /FULLBLACK
<b>Base on Teflon pads</b>	P/N: Teflon pads
<b>Universal camera holder</b> Above the screen	P/N: SCUV3
<b>SCUV3 option</b> Adaptor to fix the SCUV3 between two screens	P/N: SCUV3_2
<b>Assembly before shipment</b>	P/N: SERV_STD_1