

BOXER SINGLE SCREEN

For a 32 to 65-inch screen



DIGITAL SIGNAGE

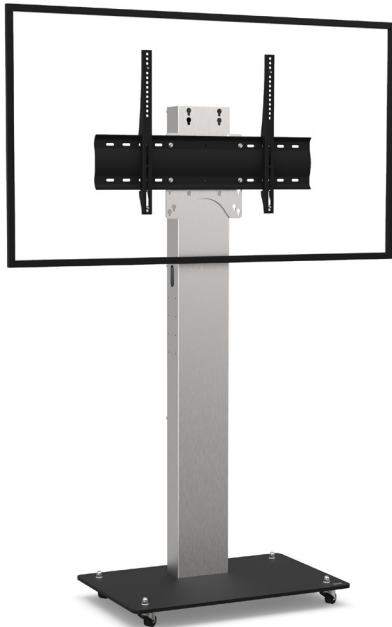
Number of screen : 1 screen

Screen size : 32 to 65"

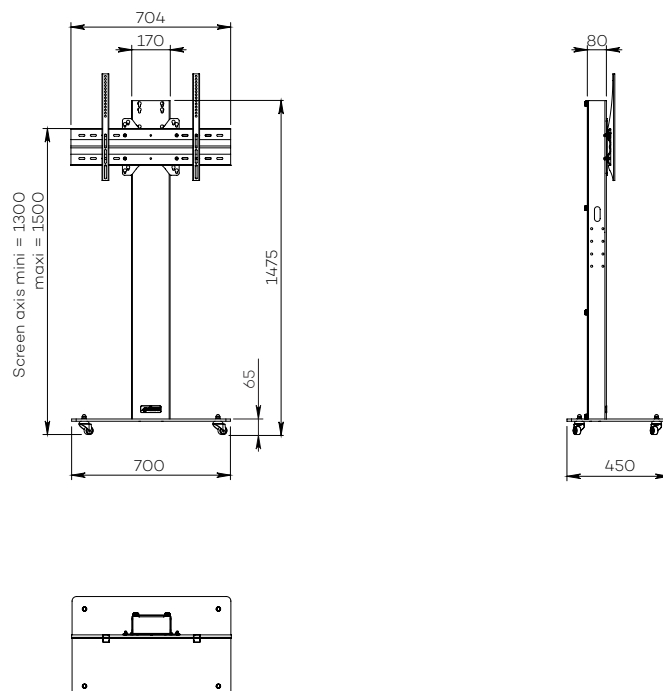
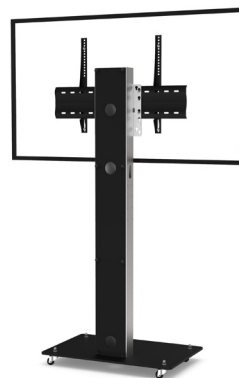
Installation : on casters

Finish : black and brushed stainless steel

Part number :
BOXERS3265DS



55" simulation screen



- SPECIFICATIONS

Screen size	For a 32 to 65" screen
Part number	BOXERS3265DS
Base	Black painted steel
Base thickness	10 mm
Casters / Teflon pads	On casters (ø 35 mm pre-assembled)
Base dimensions (w x d x h)	700 x 450 x 70 mm
Column	Brushed stainless steel
Column back cover	Back in black eco-friendly plexiglass, easy access
Column dimensions (w x d x h)	170 x 80 x 1405 mm
Screen fixing	Black painted steel with fixing kit
Universal screen mount (VESA)	200 x 200 mm to 600 x 400 mm
Screen axis height	1300 mm to 1500 mm
Max. screen weight	55 kg
Stand weight	65 kg

- OPTIONS

Small shelf Dimensions (w x d) : 300 mm x 230 mm	P/N: AX0011
Large shelf Dimensions (w x d) : 450 mm x 300 mm	P/N: AX0012
White & brushed stainless steel finish Column in brushed stainless steel Base and back cover in white	P/N: /WHITE
Full white finish Base, column and back cover in white	P/N: /FULLWHITE
Full black finish Base, column and back cover in black	P/N: /FULLBLACK
Base on Teflon pads	P/N: Teflon pads
Universal codec holder Attached behind the screen with a functional depth of 10 mm to 95 mm	P/N: SCUUV12
Universal camera holder Above the screen (attached to the VESA screen with 340 mm strips)	P/N: SCUUV3
Assembly before shipment	P/N: SERV_STD_1